

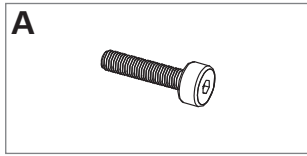
INSTRUCTION PAPER

METRIS | Dining table 80x80

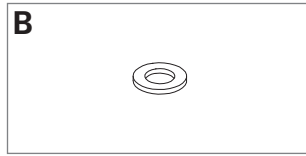
DIPHANO
OUTDOOR FURNITURE

Start by unpacking everything carefully. Make sure to cover the floor to prevent any damage or scratching (you can use the cardboard box for this).

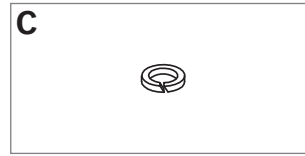
CONTENT



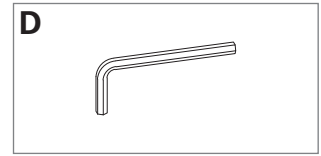
4x bolt (M8x40mm)



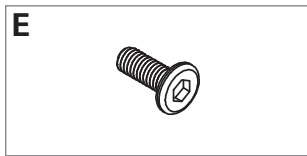
4x washer (M8)



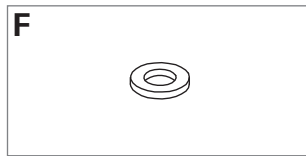
4x spring washer (M8)



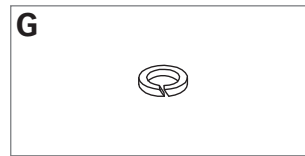
1x hex key (6)



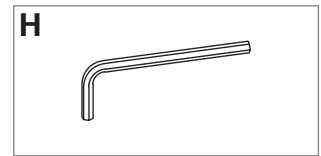
4x bolt (M6x15mm)



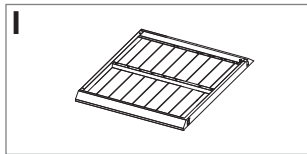
4x washer (M6)



4x spring washer (M6)



1x hex key (5)

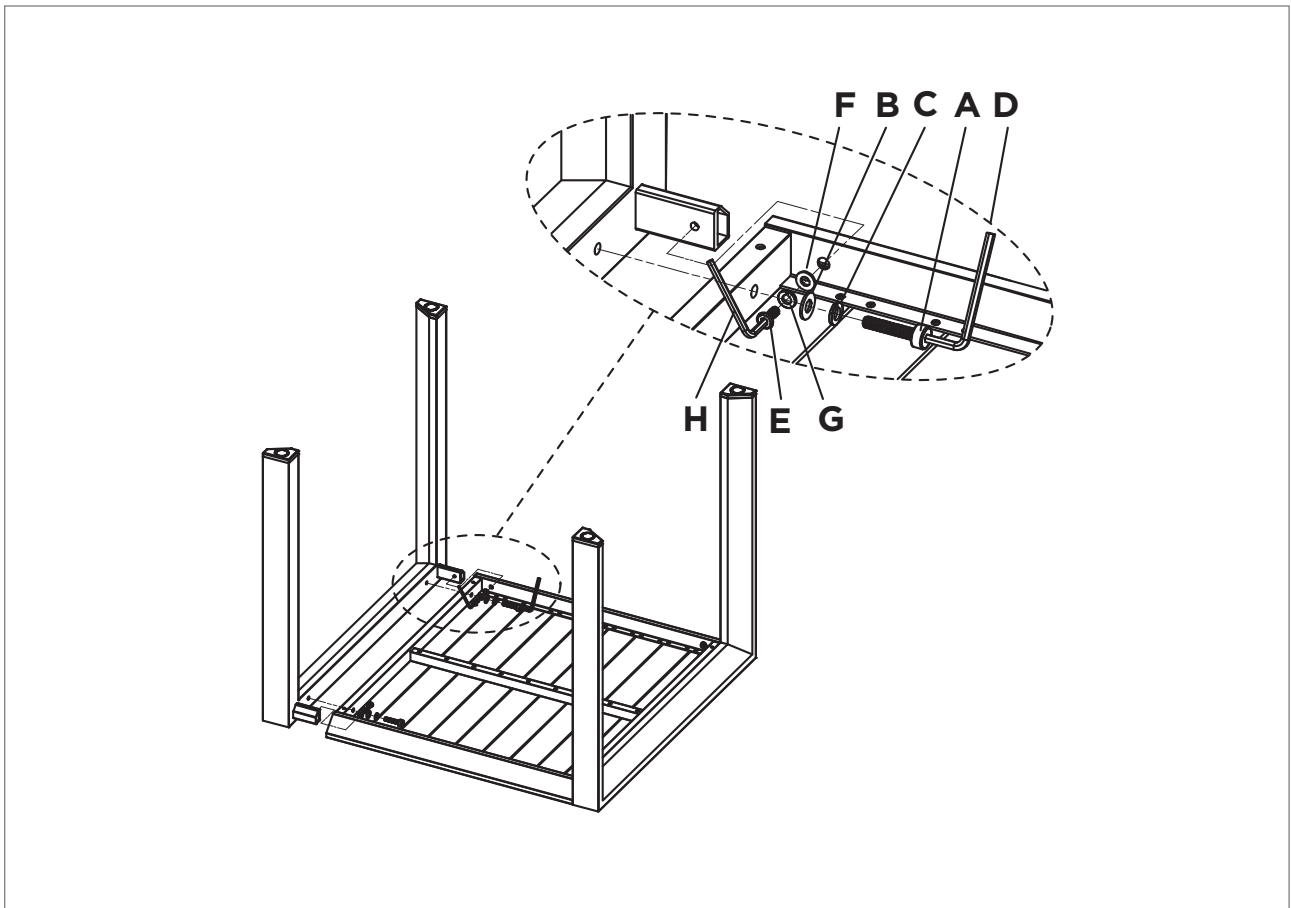


1x alu table top



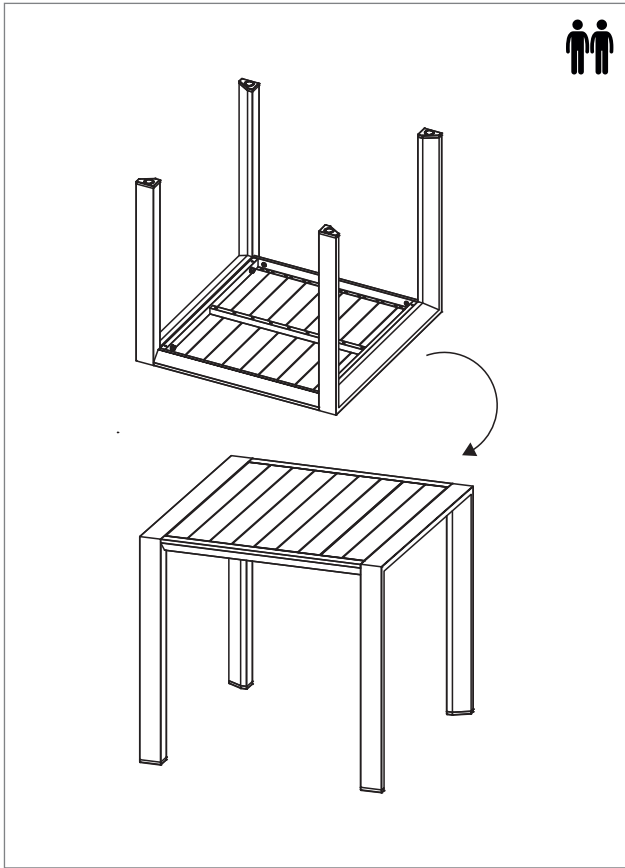
2x alu legs

STEP 1: CONNECT ALUMINIUM LEGS



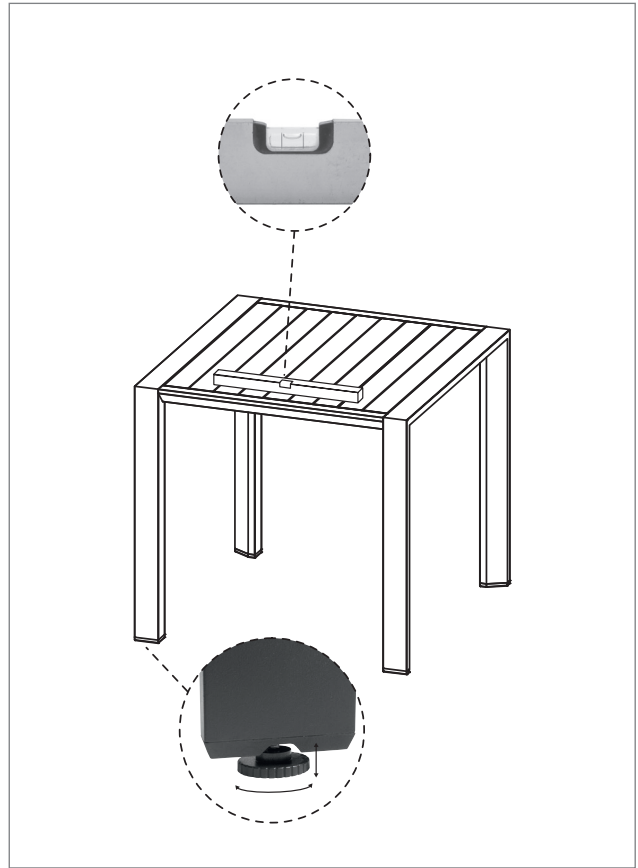
Use the hex keys (D,H) to assemble the aluminium legs (J) onto the table top (I) as shown in the picture. Make sure you follow the correct order as indicated by the letters in the picture. Repeat this action for the other side.

STEP 2: TURN TABLE



Turn the table carefully to its normal position with at least 2 persons.

STEP 3: ADJUST FEET



Check with a spirit level if the table is placed level. If not, (un)screw the adjustable feet till your table is completely level.



DINING
ARMCHAIR



BARSTOOLS
78 | 62h



LOUNGER



BENCHES & LOW TABLES



SIDE TABLE



BISTRO TABLES 108 | 74h



DINING TABLES 92 | 75h



PARTY TABLES 109 | 92h



BAR & BAR TEAK