

DIPHANO



Cubic

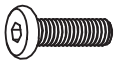
lounger

INSTRUCTION MANUAL

how to assemble the wheels

CONTENT

Start by unpacking everything carefully. Make sure to cover the floor to prevent any damage or scratching (you can use the cardboard box for this).



A
2x bolt (M6x30mm)



B
2x bearing (Ø8)



C
2x wheel



D
2x washer (Ø8,5)

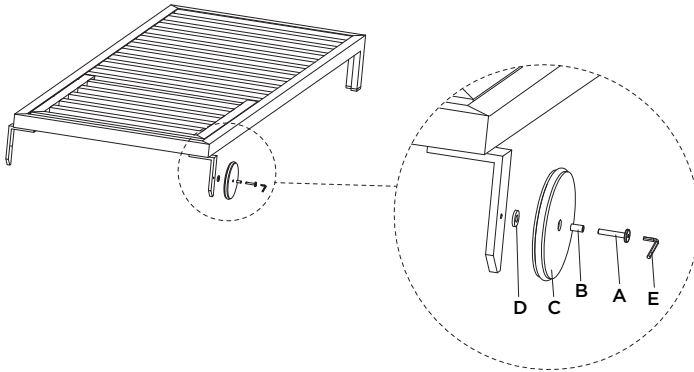


E
1x hex key (4mm)

Diphano cannot be held responsible if the assembly instructions are not followed properly.

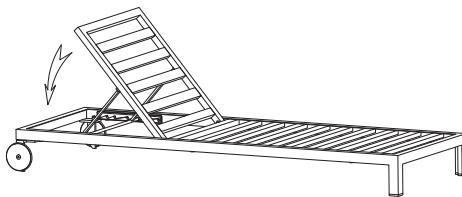
ASSEMBLY

Use the hex key to assemble the wheel onto the lounger as shown in the picture. Make sure you follow the correct order as indicated by the letters in the picture. Repeat this action for the other side.



ATTENTION

Always pay attention when you lay down the lounger!



DIPHANO

OUTDOOR FURNITURE

www.diphano.com

Textielstraat 4 - 8790 Waregem - Belgium
Tel. +32 (0)56 980 008 - info@diphano.com