

# DIPHANO



## **Pure**

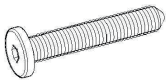
dining table 280x100

INSTRUCTION MANUAL

# assembly instructions

## CONTENT

Start by unpacking everything carefully. Make sure to cover the floor to prevent any damage or scratching (you can use the cardboard box for this).



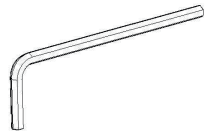
**A**  
12x bolt (M8x30mm)



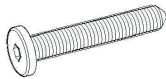
**B**  
12x washer (M8)



**C**  
12x spring washer (M8)



**D**  
1x hex key (5mm)



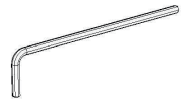
**E**  
6x bolt (M6x30mm)



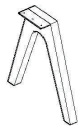
**F**  
6x washer (M6)



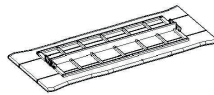
**G**  
6x spring washer (M6)



**H**  
1x hex key (4mm)



**I**  
2x alu leg



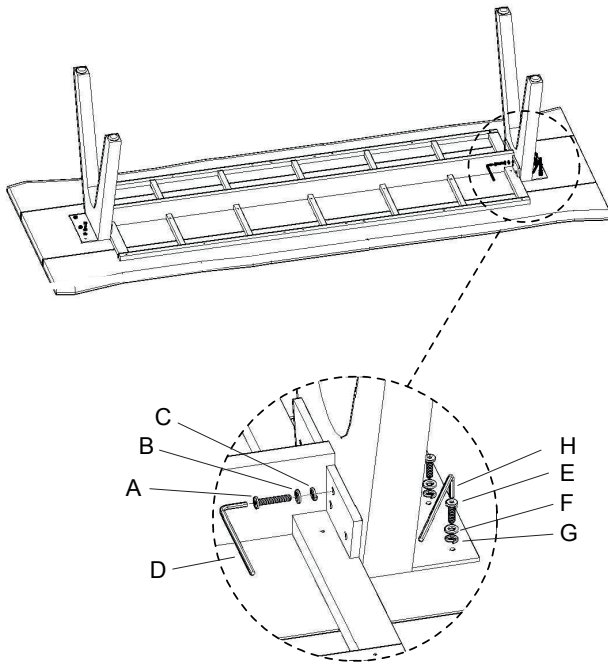
**J**  
1x teak table top

Diphano cannot be held responsible if the assembly instructions are not followed properly.

1

## ASSEMBLE LEGS

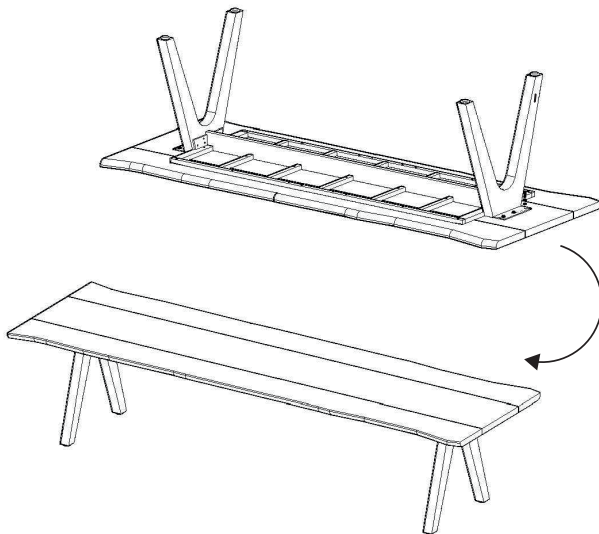
Use the hex keys to assemble the aluminium legs onto the teak table top as shown in the picture. Make sure you follow the correct order as indicated by the letters in the picture.



2

## TURN TABLE

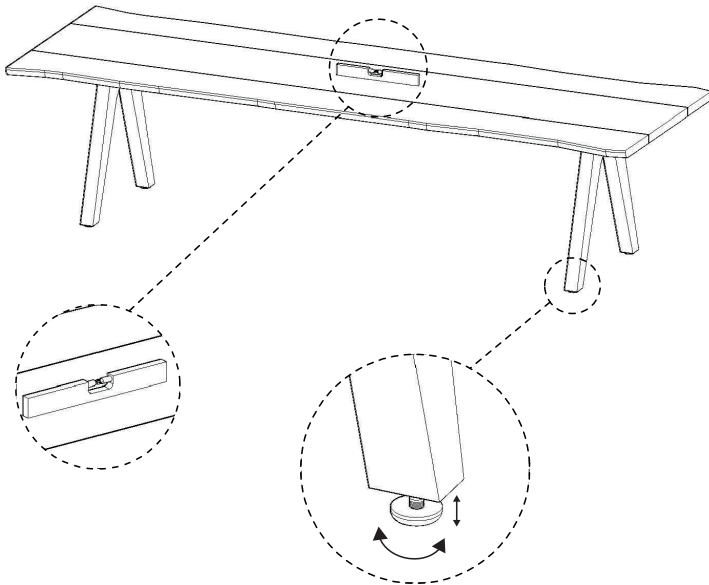
Turn the table carefully to its normal position with at least 6 persons.



3

## ADJUST FEET

Check with a spirit level if the table is placed level. If not, (un)screw the adjustable feet till your table is completely level.



# **maintenance & care**

## **POWDERCOATED ALUMINIUM**

Simply brush away loose dirt, rinse, and clean with a mild, lukewarm soapy solution. Rinse thoroughly and pat dry with a cloth.

## **NATURAL TEAK**

Simply brush away loose dirt, rinse, and clean with a mild, lukewarm soapy solution. Rinse thoroughly and pat dry with a cloth. Avoid the use of abrasive products and solvents and high pressure cleaning.

Pure tables and benches are already treated with Diphano Teak Stain Protector - an invisible timber impregnator that makes the table top water & dirt repellent while maintaining the beautiful teak colour. For the longer life span of these tables and benches, we advise to apply the teak stain protector once every 6 months.



### **Teak stain protector**

Saturates teak to make it repellent to water and moisture. Helps to prevent stains (e.g. wine stains, barbecue stains...). Easy to apply. Transparent finishing.



# DIPHANO

OUTDOOR FURNITURE

[www.diphano.com](http://www.diphano.com)

Textielstraat 4 - 8790 Waregem - Belgium  
Tel. +32 (0)56 980 008 - [info@diphano.com](mailto:info@diphano.com)