

DIPHANO



Coast

INSTRUCTION MANUAL

how to secure the legs

CONTENT

Start by unpacking everything carefully. Make sure to cover the floor to prevent any damage or scratching (you can use the cardboard box for this).



A
1x module



B
2x leg (+ attached connector)



C
8x screw (M6)



D
8x washer (M6)



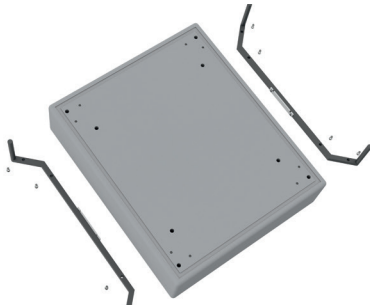
E
1x hex key

Diphano cannot be held responsible if the assembly instructions are not followed properly.

1

UNPACK

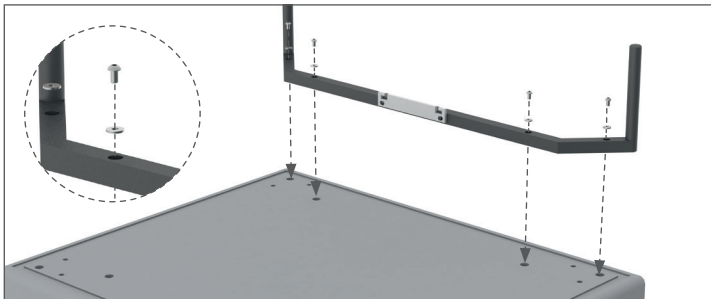
Unpack everything carefully. Make sure you have enough space during assembly. To avoid damage, turn the furniture on its back on a piece of cardboard or a blanket. Always fulfill each step/handling with at least 2 persons.



2

ATTACH FIRST LEG

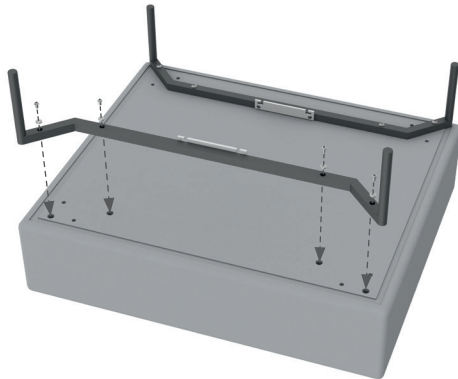
Place the first leg (B) on the module (A) on the pre-made holes. Attach them with the hex key (E) by using the screws and washers as shown in the picture.



3

ATTACH SECOND LEG

Repeat the previous action for the second leg of the module.



4

RESULT

Result. You can now turn the module to its normal position or connect this module to another module.

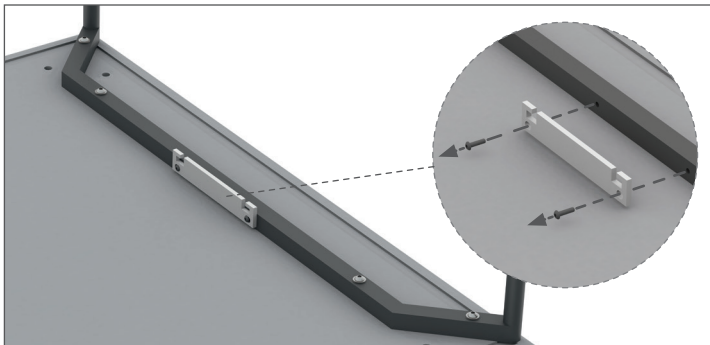


how to connect the modules

1

DETACH CONNECTORS

The connectors and screws are standard delivered attached on the legs (see picture). Use the hex key to unscrew the connectors.



2

ATTACH CONNECTORS

Attach one side of the aluminium clip system onto the hole on the side of the first module. Repeat the same action for the second clip system.

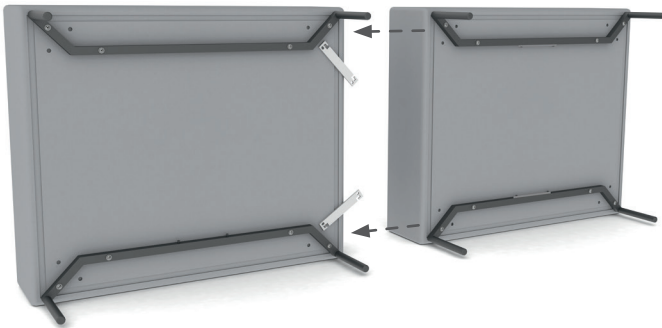
Caution: do not fix the screws too tight.



3

PLACE SECOND MODULE

Place the second module next to the first module.



4

ATTACH TO SECOND MODULE

Attach the other side of both aluminium clip systems onto the second module. Then tighten all screws. You can now turn the modules to their normal position or connect another module to your setup.



maintenance & care

POWDERCOATED ALUMINIUM

Simply brush away loose dirt, rinse, and clean with a mild, lukewarm soapy solution. Rinse thoroughly and pat dry with a cloth.

FABRICS

Simply brush away loose dirt. Spray on a cleaning solution of water and mild soap. Use a soft bristle brush to clean and allow cleaning solution to soak into the fabric. Rinse thoroughly until all soap residue is removed and allow to air-dry.



DIPHANO

OUTDOOR FURNITURE

www.diphano.com

Textielstraat 4 - 8790 Waregem - Belgium
Tel. +32 (0)56 980 008 - info@diphano.com