

DIPHANO



Newport

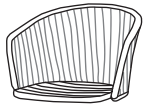
dining armchair

INSTRUCTION MANUAL

how to assemble

CONTENT

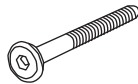
Start by unpacking everything carefully. Make sure to cover the floor to prevent any damage or scratching (you can use the cardboard box for this).



1x frame



1x support



4x bolt M6 (60mm)



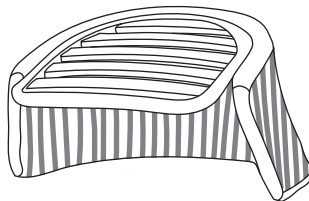
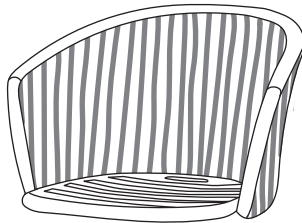
1x hex key (4mm)

Diphano cannot be held responsible if the assembly instructions are not followed properly.

1

POSITION FRAME UPSIDE DOWN

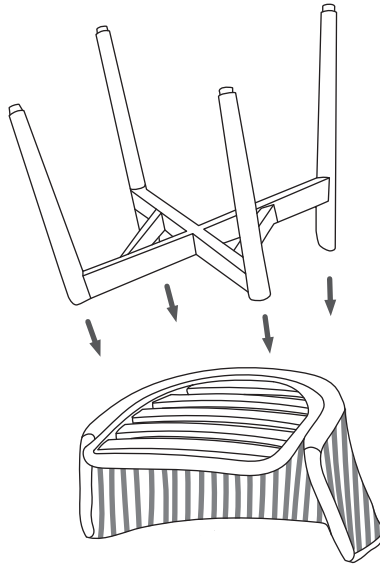
Position the shell (A) upside down on the ground. Make sure to cover the ground to prevent any damage or scratching. You can use the cardboard box for this.



2

POSITION SUPPORT

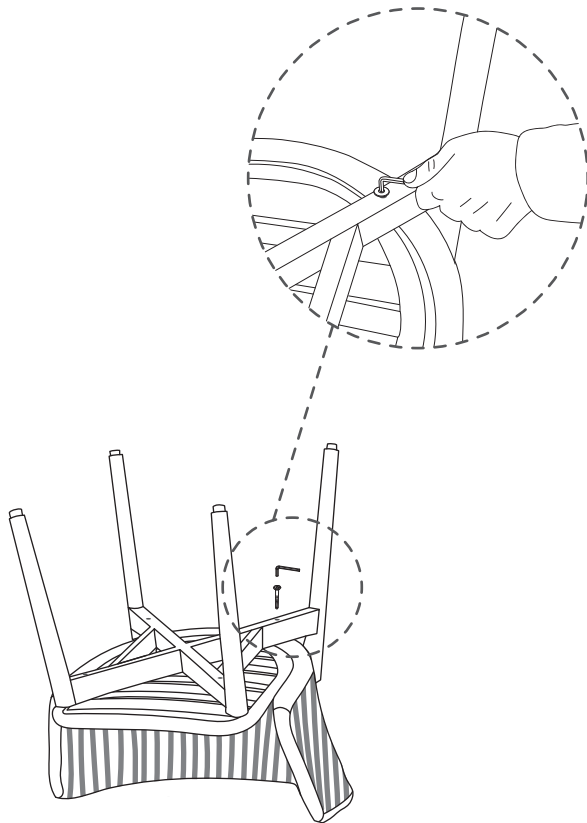
Position the support (B) on the shell (A) so the pre-made holes match.
Make sure the protruding legs are positioned at the back of the shell.



3

FIXATE SUPPORT

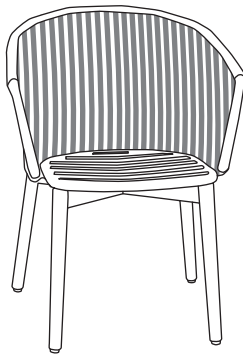
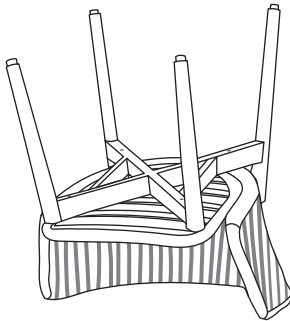
Fixate the support (B) onto the shell (A) by screwing the bolts (C) into the pre-made holes (4x).



4

TURN TO ITS NORMAL POSITION

Now turn the armchair to its normal position.



maintenance & care

POWDERCOATED ALUMINIUM

Simply brush away loose dirt, rinse, and clean with a mild, lukewarm soapy solution. Rinse thoroughly and pat dry with a cloth.

NATURAL TEAK

Simply brush away loose dirt, rinse, and clean with a mild, lukewarm soapy solution. Rinse thoroughly and pat dry with a cloth. If the teak is 100% dry and free of dust, you can apply our Teak stain protector to make it repellent to water and moisture. Avoid the use of abrasive products and solvents and high pressure cleaning.



Teak stain protector

Saturates teak to make it repellent to water and moisture. Helps to prevent stains (e.g. wine stains, barbecue stains...). Easy to apply. Transparent finishing.

ROPES

Simply brush away loose dirt, rinse, and clean with a mild, lukewarm soapy solution. Rinse thoroughly and air dry.

FABRICS

Simply brush away loose dirt. Spray on a cleaning solution of water and mild soap. Use a soft bristle brush to clean and allow cleaning solution to soak into the fabric. Rinse thoroughly until all soap residue is removed and allow to air-dry.



DIPHANO

OUTDOOR FURNITURE

www.diphano.com

Textielstraat 4 - 8790 Waregem - Belgium
Tel. +32 (0)56 980 008 - info@diphano.com