

DIPHANO



Switch Fabric

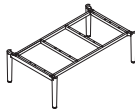
coffee table

INSTRUCTION MANUAL

how to assemble the teak top

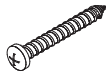
CONTENT

Start by unpacking everything carefully. Make sure to cover the floor to prevent any damage or scratching (you can use the cardboard box for this).



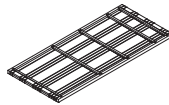
A

1x base



B

12x screw 15mm



C

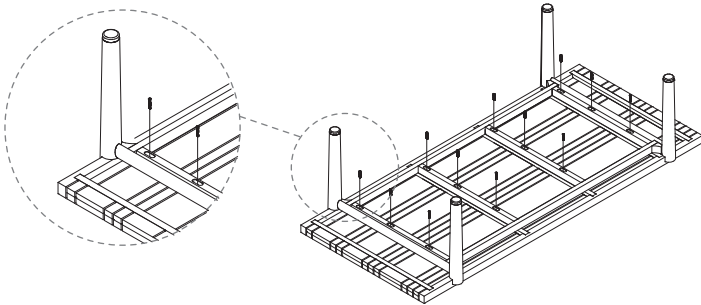
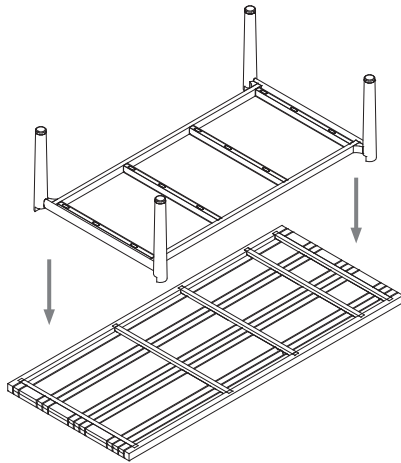
1x teak top
(140x62x3h cm)

Diphano cannot be held responsible if the assembly instructions are not followed properly.

1

CONNECT TOP

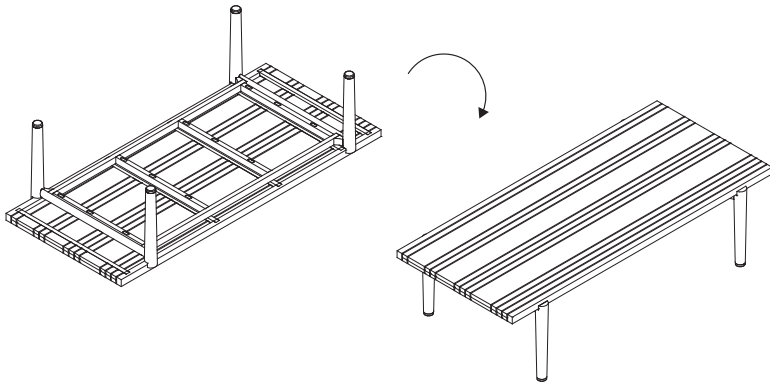
Connect the base (A) to the teak table top (C) by fixing the screws.
Repeat this action 12 times.



2

TURN COFFEE TABLE

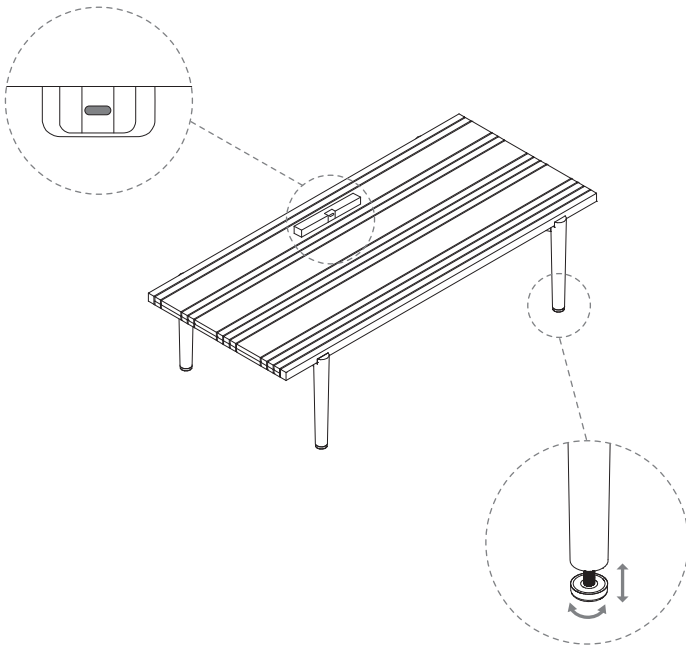
Turn the table carefully to its normal position with at least 2 persons.



3

ADJUST FEET

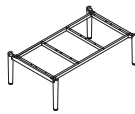
Check with a spirit level if the table is placed level. If not, (un)screw the adjustable feet till your table is completely level.



how to assemble the ceramic top

CONTENT

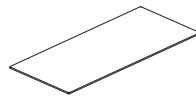
Start by unpacking everything carefully. Make sure to cover the floor to prevent any damage or scratching (you can use the cardboard box for this).



A
1x base



D
12x M5 bumper

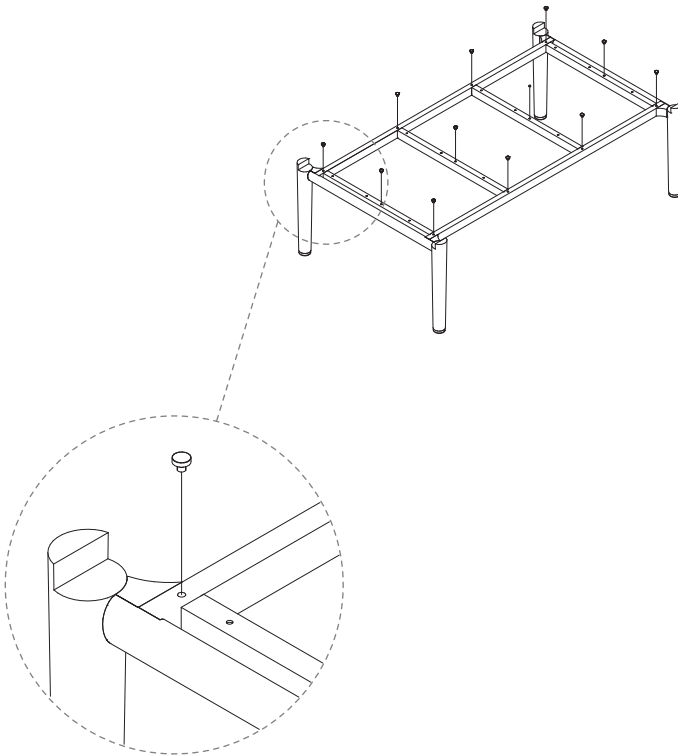


E
1x ceramic table top
(140x62x1,2h cm)

1

PLACE BUMPERS

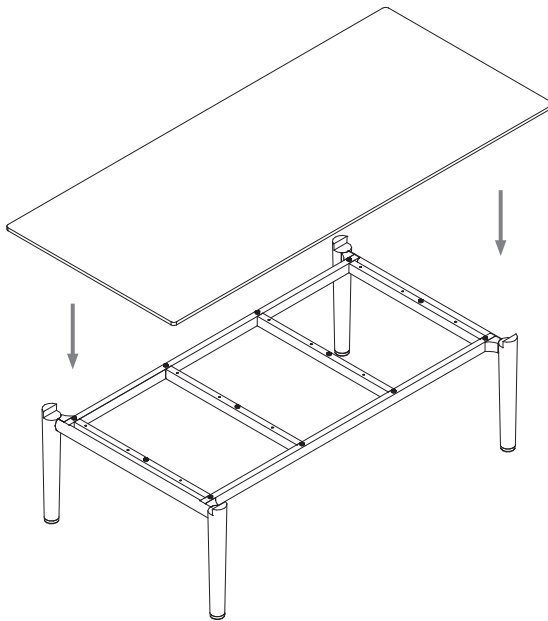
Place the bumpers (D) on the correct positions on the frame (A) as shown in the picture.



2

PLACE TABLE TOP

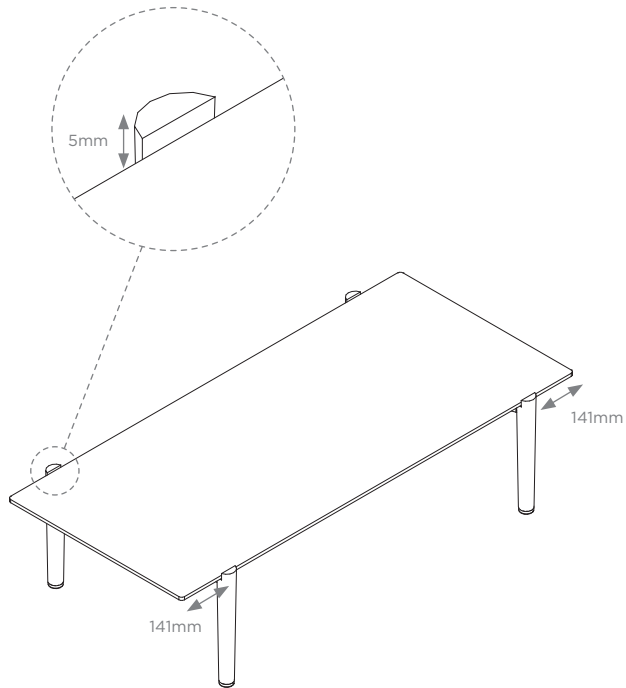
Carefully place the ceramic table top (E) in the lower part of the support with at least 2 persons.



3

POSITION TABLE TOP

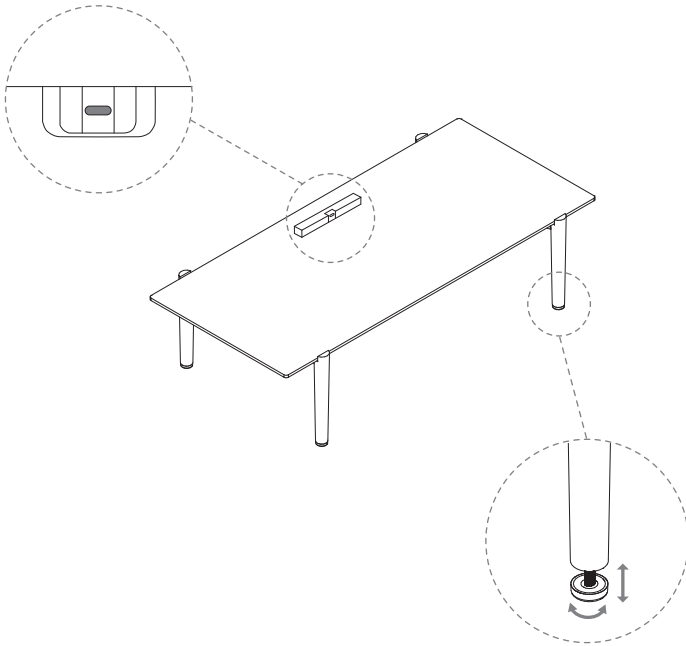
Center the table top on the base so the sides protrude 141mm on both sides.
The legs should protrude 5mm at the top.



4

ADJUST FEET

Check with a spirit level if the table is placed level.
If not, (un)screw the adjustable feet until your table is completely level.



maintenance & care

POWDERCOATED ALUMINIUM

Simply brush away loose dirt, rinse, and clean with a mild, lukewarm soapy solution. Rinse thoroughly and pat dry with a cloth.

NATURAL TEAK

Simply brush away loose dirt, rinse, and clean with a mild, lukewarm soapy solution. Rinse thoroughly and pat dry with a cloth. If the teak is 100% dry and free of dust, you can apply our Teak stain protector to make it repellent to water and moisture. Avoid the use of abrasive products and solvents and high pressure cleaning.



Teak stain protector

Saturates teak to make it repellent to water and moisture. Helps to prevent stains (e.g. wine stains, barbecue stains...). Easy to apply. Transparent finishing.

CERAMIC

Simply brush away loose dirt, rinse, and clean with a mild, lukewarm soapy solution or Ceramic cleaner. Rinse thoroughly and pat dry with a cloth.



Glass, ceramic, Trespa® cleaner & polisher

Makes hard surfaces repellent to water, moisture and dirt. Cleans and removes stains without scratching using the included cloth.

DIPHANO

OUTDOOR FURNITURE

www.diphano.com

Textielstraat 4 - 8790 Waregem - Belgium
Tel. +32 (0)56 980 008 - info@diphano.com