

DIPHANO



Alexa

barstool 77h & 62h

INSTRUCTION MANUAL

how to assemble the barstool

CONTENT

Start by unpacking everything carefully. Make sure to cover the floor to prevent any damage or scratching (you can use the cardboard box for this).



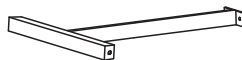
A
2x bolt (M6x28mm)



B
2x bolt (M6x15mm)



C
1x hex key (5x)

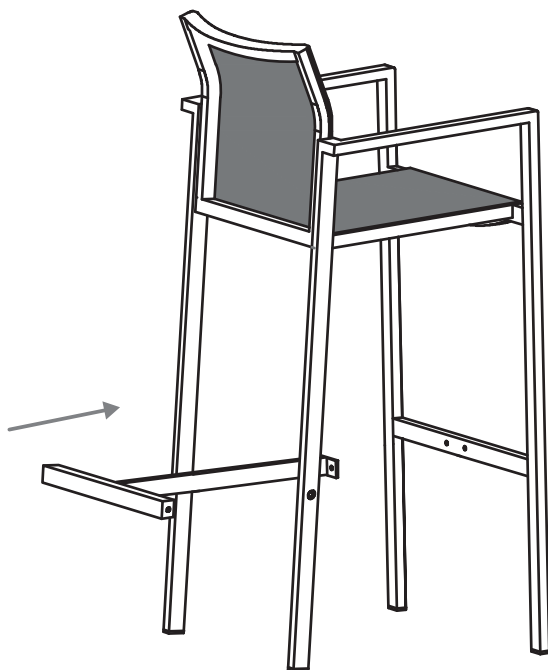


D
1x alu intermediate piece

Diphano cannot be held responsible if the assembly instructions are not followed properly.

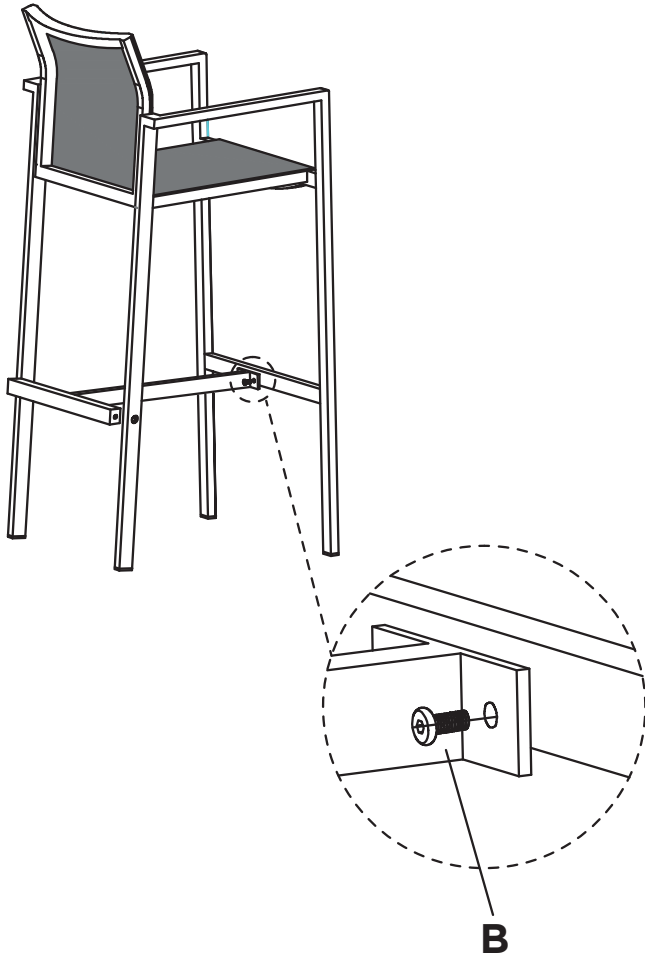
POSITION INTERMEDIATE PIECE

Place the intermediate piece (D) with the long side to the front and the short side at the back as shown in the picture.



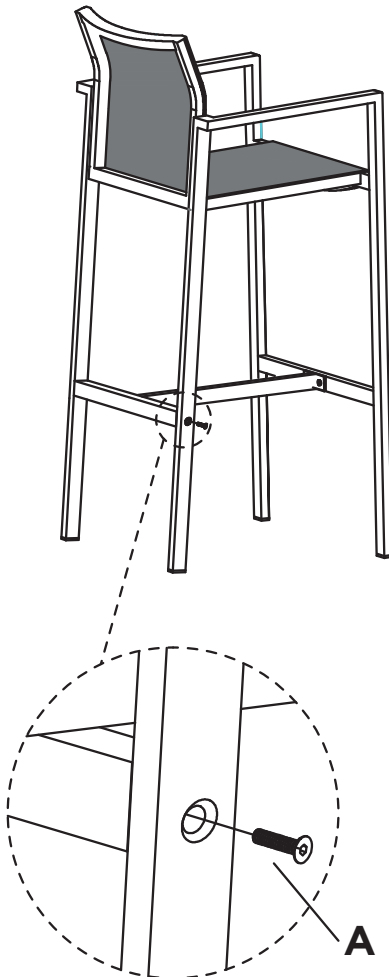
CONNECT THE FRONT

Use the hex key (C) to fixate the intermediate piece at the front by screwing the 15mm bolts (B).

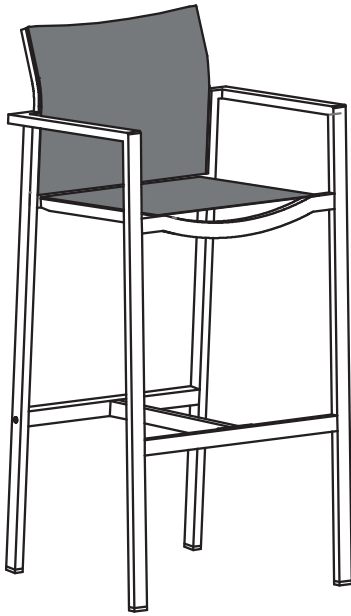


CONNECT THE BACK

Use the hex key (C) to fixate the intermediate piece at the back by screwing the 28mm bolts (A).



RESULT



maintenance & care

POWDERCOATED ALUMINIUM

Simply brush away loose dirt, rinse, and clean with a mild, lukewarm soapy solution. Rinse thoroughly and pat dry with a cloth.

BATYLINE®

Easy to clean with water or a specific Batyline cleaner. Avoid the use of abrasive products and high pressure cleaning.

DIPHANO

OUTDOOR FURNITURE

www.diphano.com

Textielstraat 4 - 8790 Waregem - Belgium
Tel. +32 (0)56 980 008 - info@diphano.com