

DIPHANO



Alexa
bistro table

INSTRUCTION MANUAL

This instruction manual applies to the following models:



bistro table teak



counter bistro table teak



high bistro table teak



bistro table Trespa®



counter bistro table Trespa®

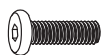


high bistro table Trespa®

how to assemble teak bistro table

CONTENT

Start by unpacking everything carefully. Make sure to cover the floor to prevent any damage or scratching (you can use the cardboard box for this).



A
4x bolt (M6x20mm)



B
4x washer (M6)



C
1x hex key (4)



D
3x bolt (M8x30mm)



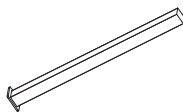
E
3x washer (M8)



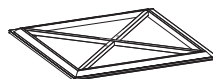
F
1x hex key (5)



G
1x base



H
1x pole

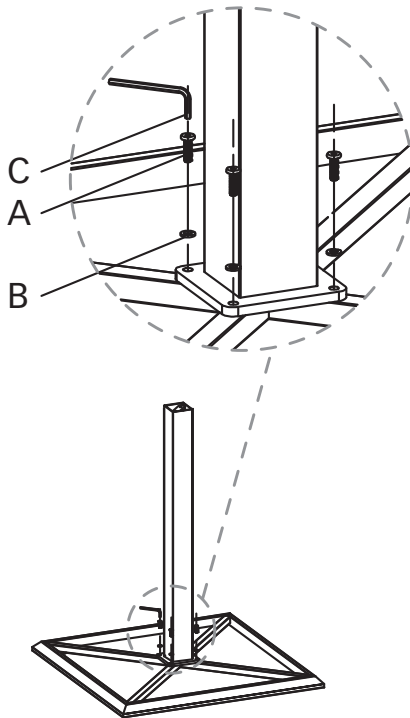


I
1x table top

Diphano cannot be held responsible if the assembly instructions are not followed properly.

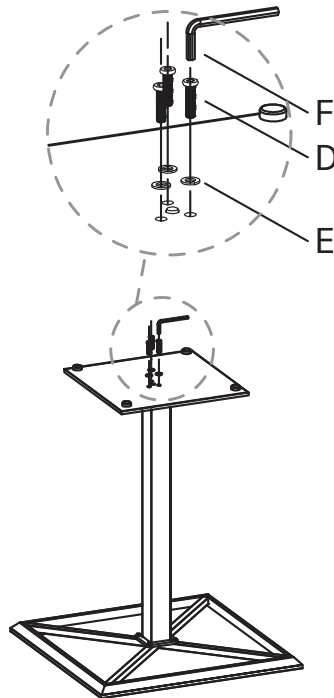
CONNECT THE TABLE TOP

Connect the pole (H) to the table top (I) by fixating the bolt (A) with the washer (B) in the correct order. Repeat this 3 times so you have a bolt at every corner of the pole.



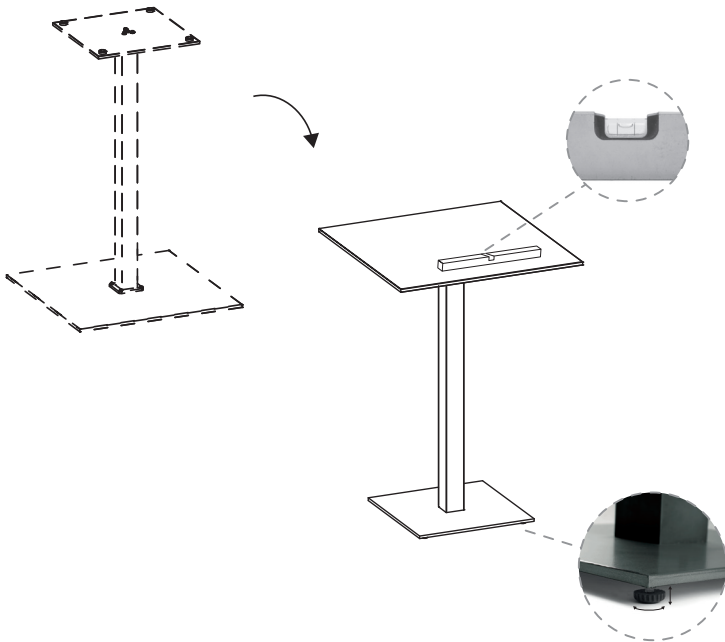
CONNECT THE BASE

Connect the base (G) to the other side of the pole (H) by fixating the bolt (D) with the washer (E) in the correct order. Repeat this action 2 times.



ADJUST THE FEET

Turn the table carefully to its normal position with at least 2 persons. Check with a spirit level if the table is placed level. If not, (un)screw the adjustable feet till your table is completely level.



how to assemble Trespa® bistro table

CONTENT

Start by unpacking everything carefully. Make sure to cover the floor to prevent any damage or scratching (you can use the cardboard box for this).



A
4x washer (M5)



B
4x nut (M5)



C
4x cap nut (M5)



D
3x bolt (M8x30mm)



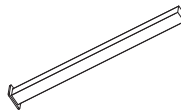
E
3x washer (M8)



F
1x hex key (5)



G
1x base



H
1x pole

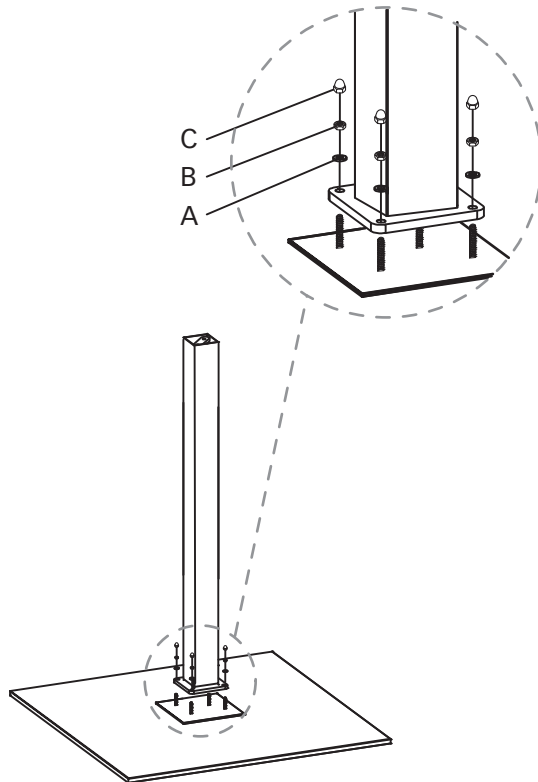


I
1x table top

Diphano cannot be held responsible if the assembly instructions are not followed properly.

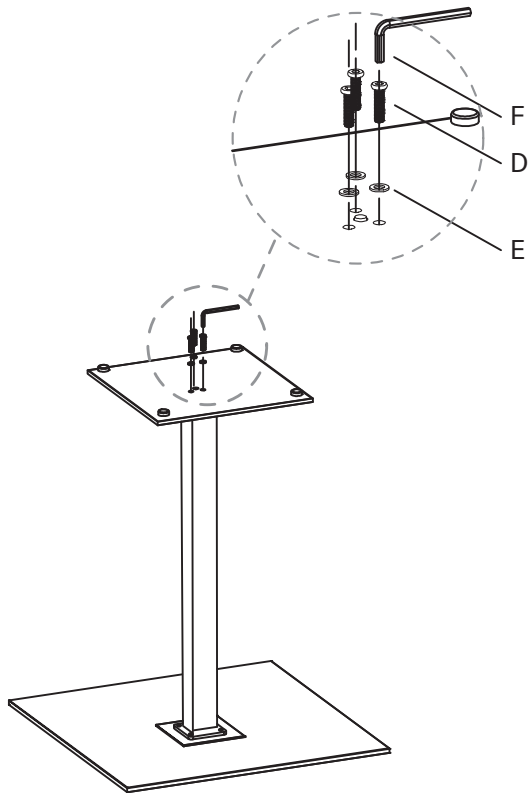
CONNECT THE TABLE TOP

Connect the pole (H) to the table top (I) by fixing the cap nut (C) with the nut (B) and the washer (A) in the correct order. Repeat this 3 times so you have a bolt at every corner of the pole.



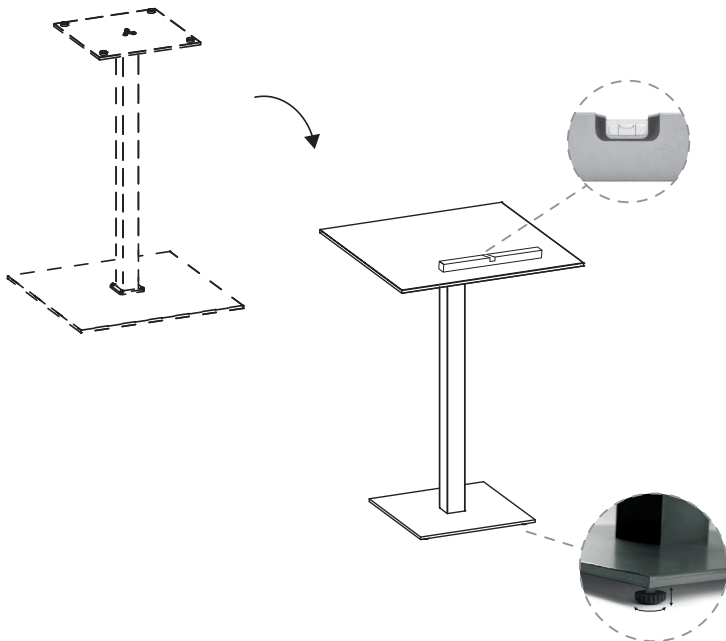
CONNECT THE BASE

Connect the base (G) to the other side of the pole (H) by fixing the bolt (D) with the washer (E) in the correct order. Repeat this action 2 times.



ADJUST THE FEET

Turn the table carefully to its normal position with at least 2 persons. Check with a spirit level if the table is placed level. If not, (un)screw the adjustable feet till your table is completely level.



maintenance & care

POWDERCOATED ALUMINIUM

Simply brush away loose dirt, rinse, and clean with a mild, lukewarm soapy solution. Rinse thoroughly and pat dry with a cloth.

NATURAL TEAK

Simply brush away loose dirt, rinse, and clean with a mild, lukewarm soapy solution. Rinse thoroughly and pat dry with a cloth. Avoid the use of abrasive products and solvents and high pressure cleaning.

TRESPA®

Simply brush away loose dirt, rinse, and clean with a mild, lukewarm soapy solution. Rinse thoroughly and pat dry with a cloth.



Teak stain protector

Saturates teak to make it repellent to water and moisture. Helps to prevent stains (e.g. wine stains, barbecue stains...). Easy to apply. Transparent finishing.



Glass, ceramic, Trespa® cleaner & polisher

Makes hard surfaces repellent to water, moisture and dirt. Cleans and removes stains without scratching using the included cloth.

DIPHANO

OUTDOOR FURNITURE

www.diphano.com

Textielstraat 4 - 8790 Waregem - Belgium
Tel. +32 (0)56 980 008 - info@diphano.com