

DIPHANO



Alexa

extendable table

INSTRUCTION MANUAL

This instruction manual applies to the following models:



extendable table 160-220x96



extendable table 220-280x96

Diphano cannot be held responsible if the assembly instructions are not followed properly.

how to assemble the table

CONTENT

Start by unpacking everything carefully. Make sure to cover the floor to prevent any damage or scratching (you can use the cardboard box for this).



A
8x bolt (M6x16mm)



B
4x bolt (M6x40mm)



C
4x washer (M6)



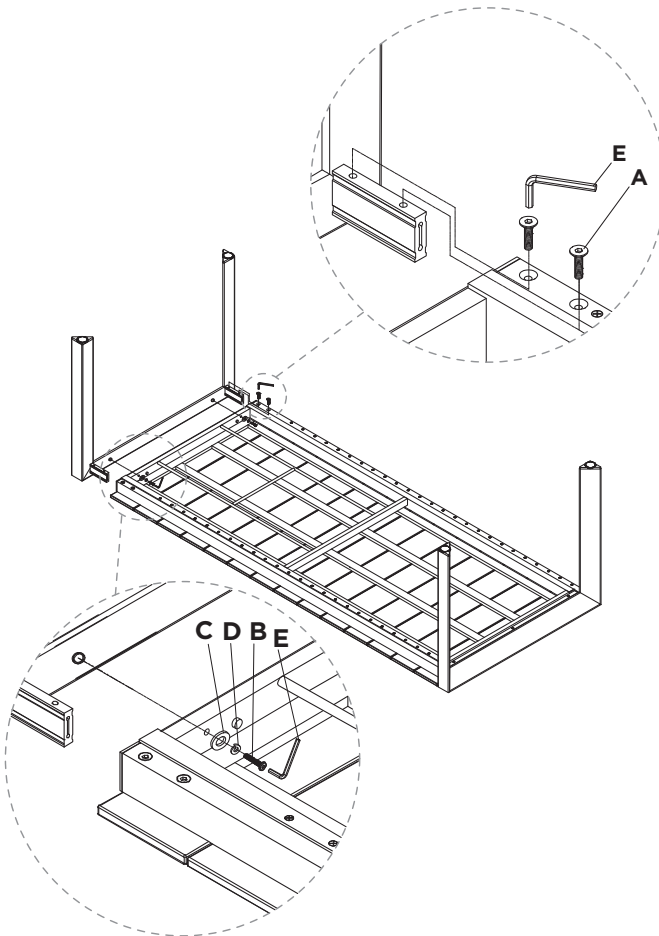
D
4x spring washer (M6)



E
1x hex key (4mm)

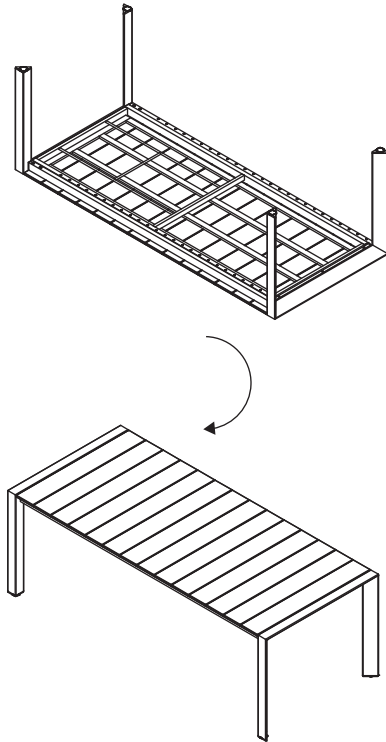
CONNECT ALUMINIUM LEGS

Use the hex keys (E) to assemble the aluminium legs onto the table top as shown in the picture. Make sure you follow the correct order as indicated by the letters in the picture. Repeat this action for all the legs.



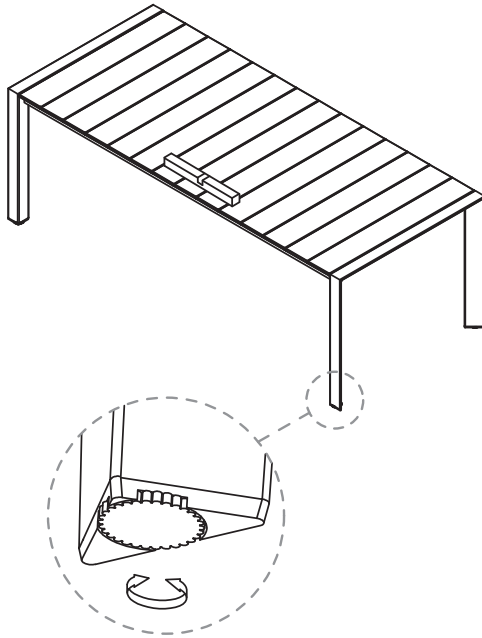
TURN THE TABLE

Turn the table carefully to its normal position with at least 4 persons.



ADJUST THE FEET

Check with a spirit level if the table is placed level. If not, (un)screw the adjustable feet till your table is completely level.



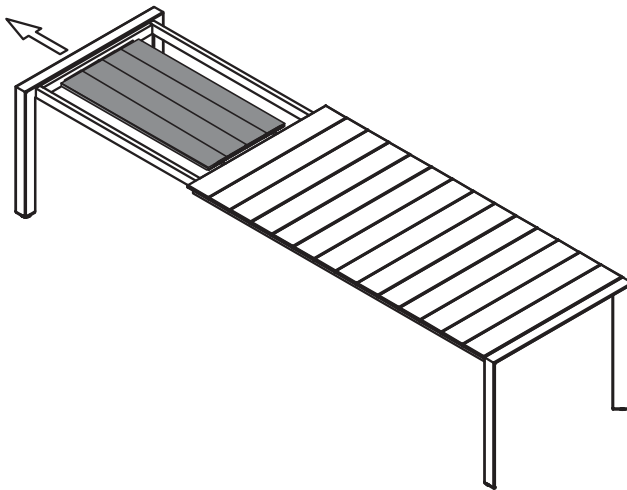
how to extend your table

watch the video



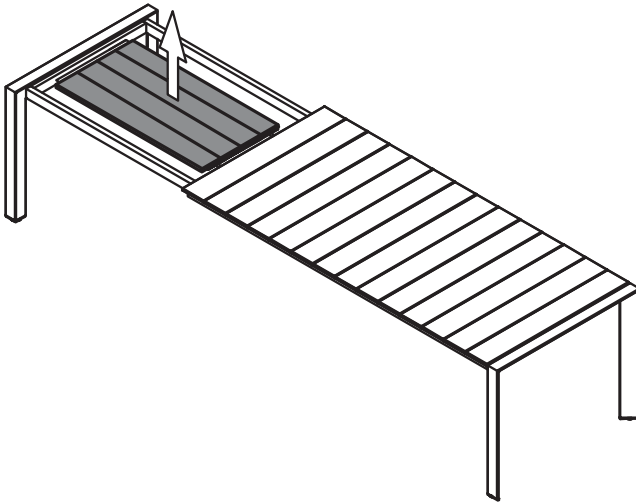
OPEN FRAME

Lift the table frame a little bit. Slide evenly back until it is completely open.



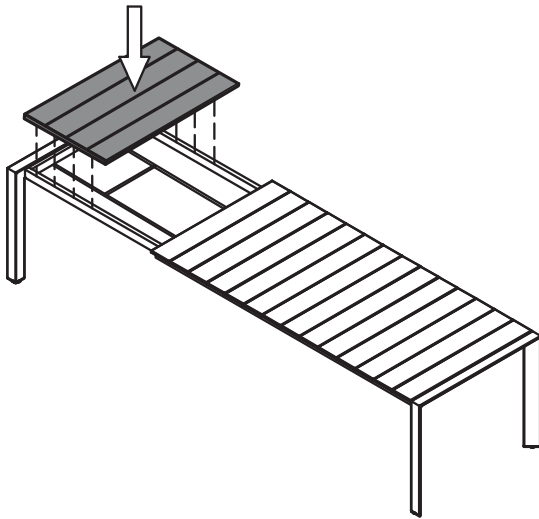
TAKE OUT EXTENSION

Take out the extension table top.



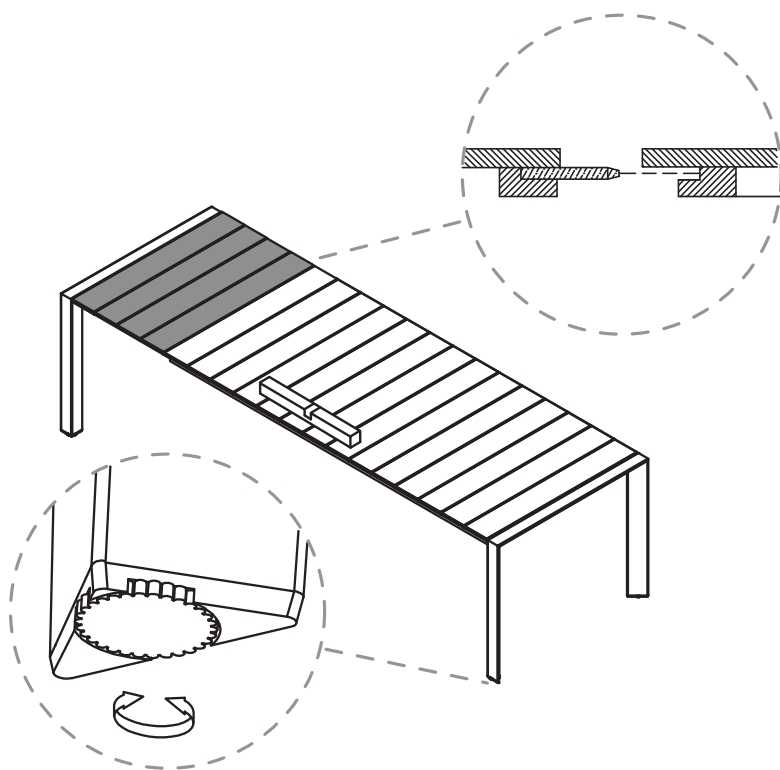
PLACE EXTENSION

Place the extension on top of the table frame.



CLOSE AND ADJUST FEET

Close table leg so the extension fits perfectly with the table frame.
Check again with a spirit level if the table is level. If not, (un)screw
the adjustable feet till your table is completely level.



maintenance & care

POWDERCOATED ALUMINIUM

Simply brush away loose dirt, rinse, and clean with a mild, lukewarm soapy solution. Rinse thoroughly and pat dry with a cloth.

NATURAL TEAK

Simply brush away loose dirt, rinse, and clean with a mild, lukewarm soapy solution. Rinse thoroughly and pat dry with a cloth. If the teak is 100% dry and free of dust, you can apply our Teak stain protector to make it repellent to water and moisture. Avoid the use of abrasive products and solvents and high pressure cleaning.



Teak stain protector

Saturates teak to make it repellent to water and moisture. Helps to prevent stains (e.g. wine stains, barbecue stains...). Easy to apply. Transparent finishing.

DIPHANO

OUTDOOR FURNITURE

www.diphano.com

Textielstraat 4 - 8790 Waregem - Belgium
Tel. +32 (0)56 980 008 - info@diphano.com