

DIPHANO



Alexa

round dining table 148xR

INSTRUCTION MANUAL

This instruction manual applies to the following models:



round dining table 148xR teak



round dining table 148xR trespa®



round dining table 148xR ceramic

Diphano cannot be held responsible if the assembly instructions are not followed properly.

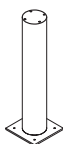
how to assemble the base & pole

CONTENT

Start by unpacking everything carefully. Make sure to cover the floor to prevent any damage or scratching (you can use the cardboard box for this).



A
1x base



B
1x pole



C
1x hex key (5mm)



D
4x bolt M8x25mm



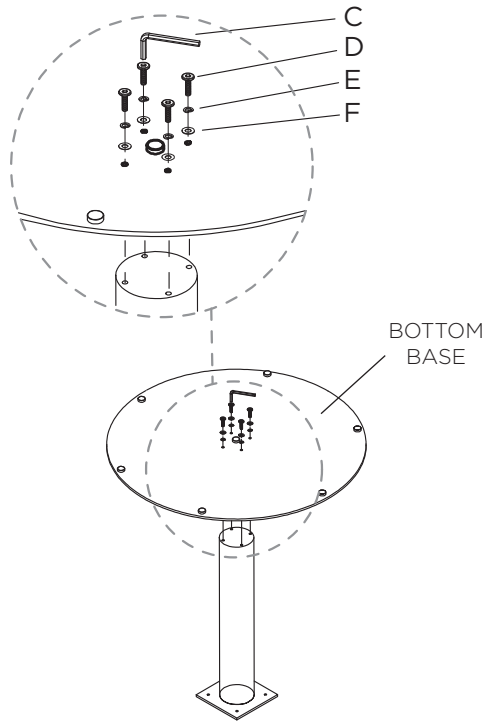
E
4x spring washer (M8)



F
4x washer (M8)

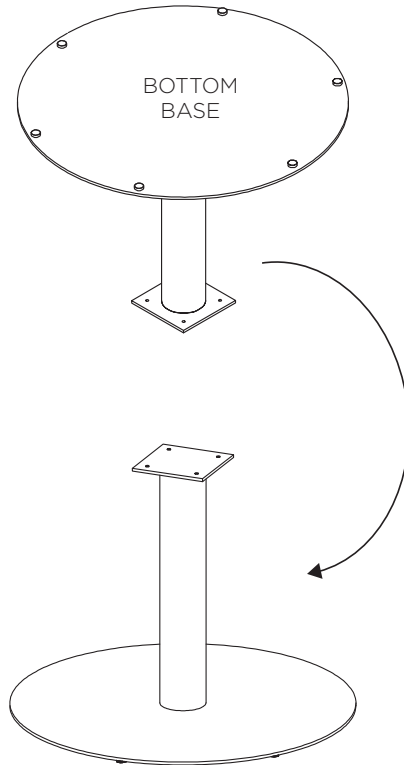
CONNECT THE POLE TO THE BASE

Use the hex key (C) to assemble the aluminium pole (B) onto the base (A) as shown in the picture. Make sure you follow the correct order as indicated by the letters in the picture.



TURN THE TABLE + POLE

Turn the base with the pole carefully to its normal position with at least 2 persons.



how to assemble teak table top

CONTENT

Start by unpacking everything carefully. Make sure to cover the floor to prevent any damage or scratching (you can use the cardboard box for this).



G
1x hex key (4mm)



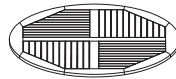
H
4x bolt M6x20mm



I
4x spring washer (M6)



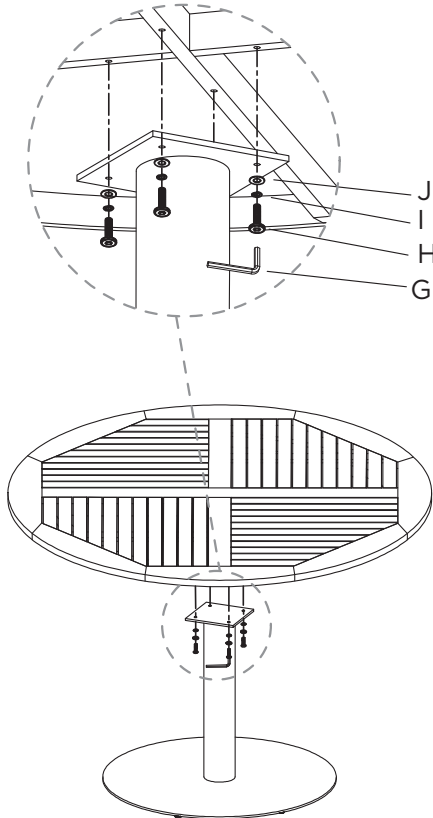
J
4x washer (M6)



K
1x teak table top

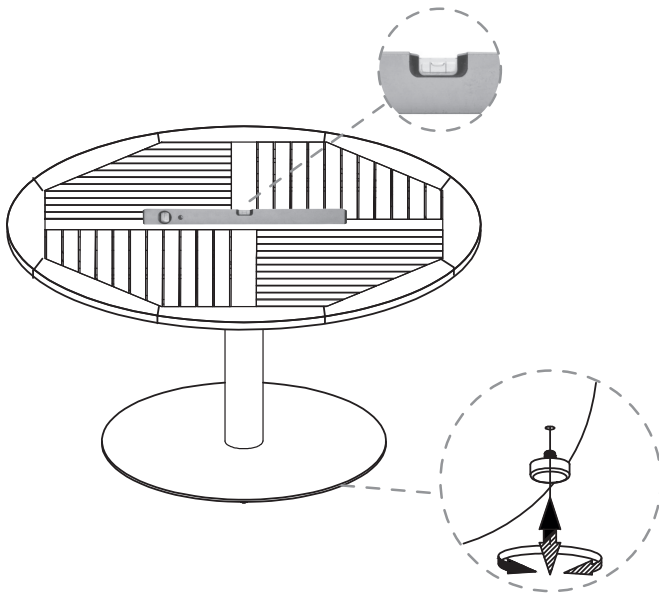
SECURE TABLE TOP

Carefully place the table top (K) onto the pole (B) so the pre-made holes match.
Now use the hex key (G) to fixate the table top (K) onto the pole (B). Make sure you follow the correct order as indicated by the letters in the picture.



ADJUST FEET

Check with a spirit level if the table is placed level. If not, (un)screw the adjustable feet till your table is completely level.



how to assemble Trespa® table top

CONTENT

Start by unpacking everything carefully. Make sure to cover the floor to prevent any damage or scratching (you can use the cardboard box for this).



G

1x hex key (4mm)



H

4x bolt M6x20mm



I

4x spring washer (M6)



J

4x washer (M6)

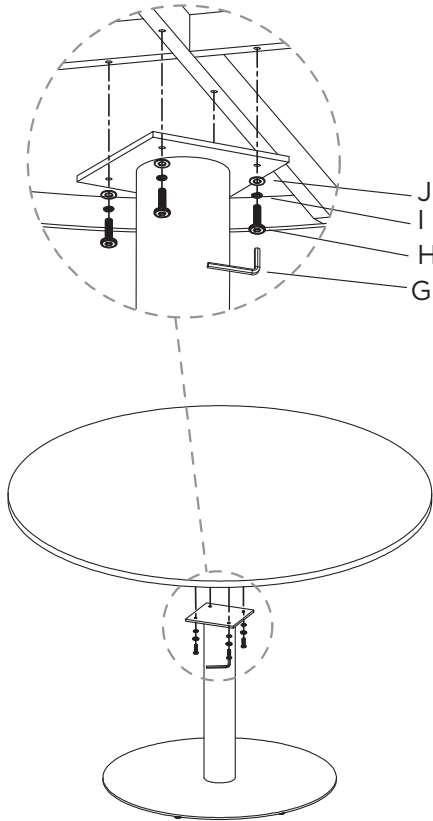


L

1x Trespa® table top

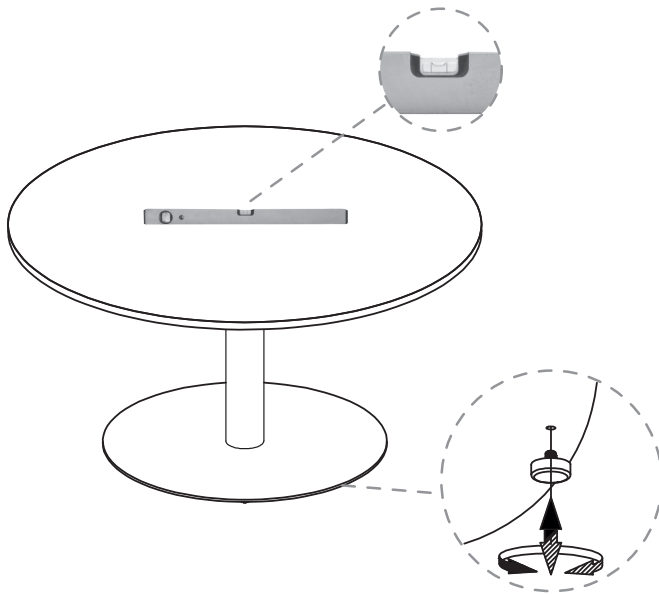
SECURE TABLE TOP

Carefully place the table top (L) onto the pole (B) so the pre-made holes match. Now use the hex key (G) to fixate the table top (L) onto the pole (B). Make sure you follow the correct order as indicated by the letters in the picture.



ADJUST FEET

Check with a spirit level if the table is placed level. If not, (un)screw the adjustable feet till your table is completely level.



how to assemble ceramic table top

CONTENT

Start by unpacking everything carefully. Make sure to cover the floor to prevent any damage or scratching (you can use the cardboard box for this).



G
1x hex key (4mm)



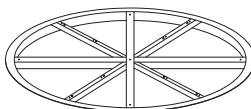
H
4x bolt M6x20mm



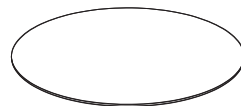
I
4x spring washer (M6)



J
4x washer (M6)



M
1x alu support



N
1x ceramic table top



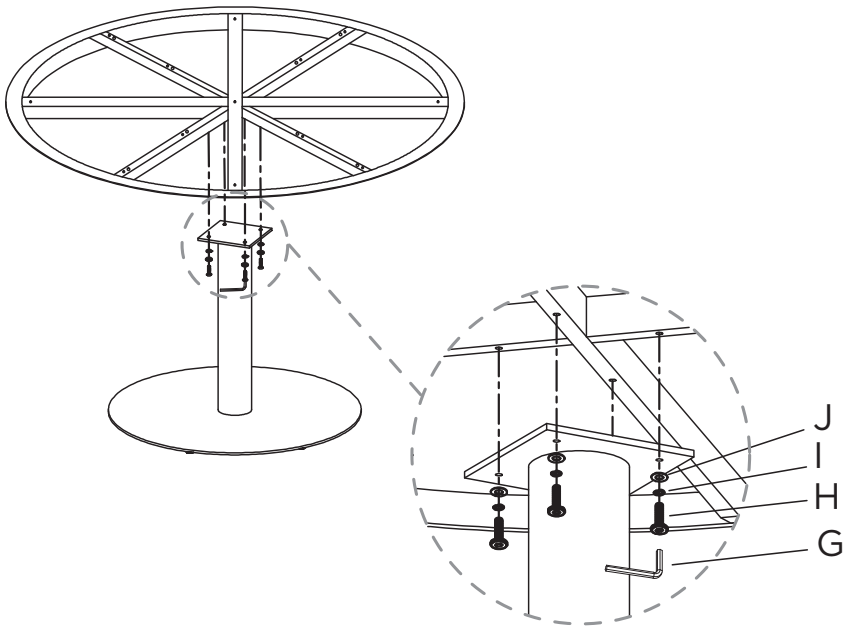
O
13x bumper (Ø13 M5)



P
13x plastic washer (M5)

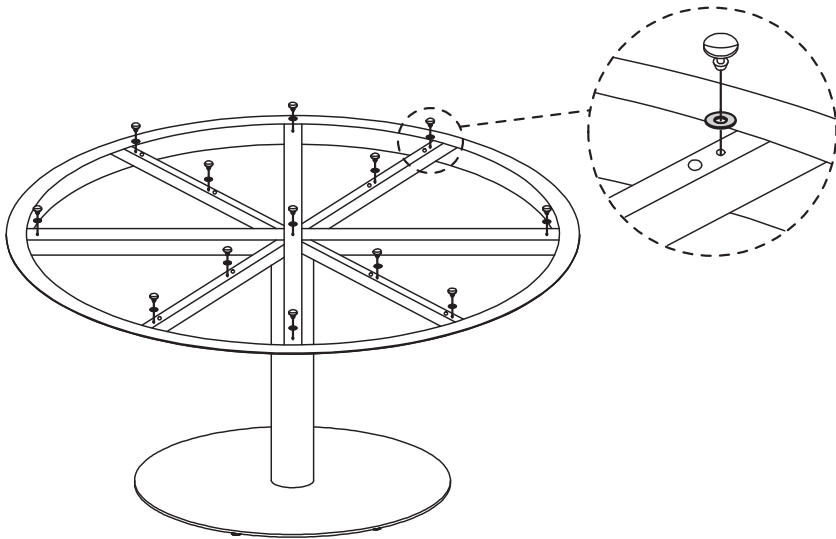
SECURE ALU SUPPORT

Carefully place the alu support (M) onto the pole (B) so the pre-made holes match. Now use the hex key (G) to fixate the alu support (M) onto the pole (B). Make sure you follow the correct order as indicated by the letters in the picture.



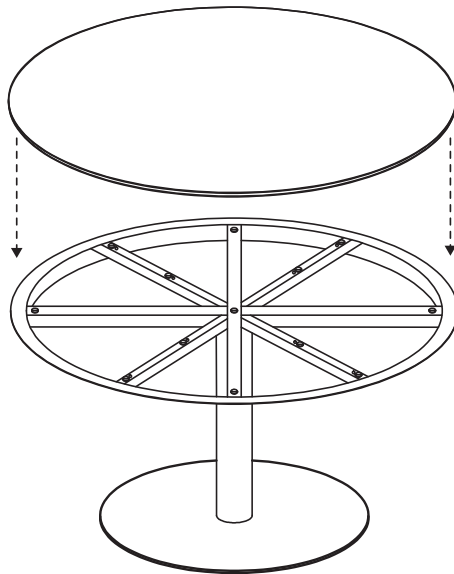
PLACE BUMPERS (AND WASHERS)

Place the bumpers (O) on the correct positions as shown in the picture. Check during setup if your ceramic table top (N) is placed stable onto the alu support (M). If not, you can add plastic washers (P) on the necessary positions.



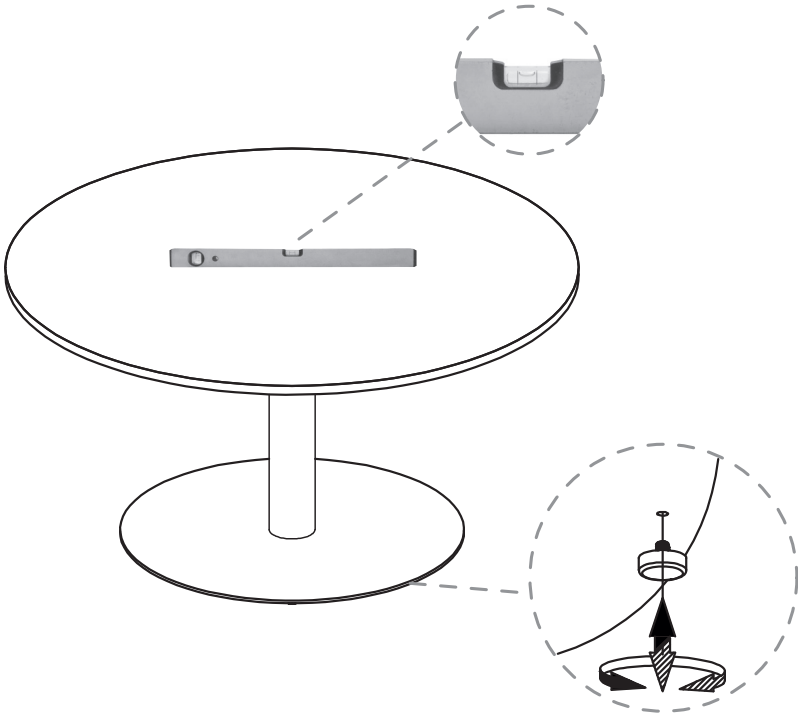
PLACE CERAMIC TABLE TOP

Carefully place the ceramic table top (N) onto the alu support with minimal 4 persons.



ADJUST FEET

Check with a spirit level if the table is placed level. If not, (un)screw the adjustable feet till your table is completely level.



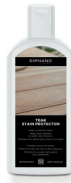
maintenance & care

POWDERCOATED ALUMINIUM

Simply brush away loose dirt, rinse, and clean with a mild, lukewarm soapy solution. Rinse thoroughly and pat dry with a cloth.

NATURAL TEAK

Simply brush away loose dirt, rinse, and clean with a mild, lukewarm soapy solution. Rinse thoroughly and pat dry with a cloth. If the teak is 100% dry and free of dust, you can apply our Teak stain protector to make it repellent to water and moisture. Avoid the use of abrasive products and solvents and high pressure cleaning.



Teak stain protector

Saturates teak to make it repellent to water and moisture. Helps to prevent stains (e.g. wine stains, barbecue stains...). Easy to apply. Transparent finishing.

TRESPA®

Simply brush away loose dirt, rinse, and clean with a mild, lukewarm soapy solution. Rinse thoroughly and pat dry with a cloth.

CERAMIC

Simply brush away loose dirt, rinse, and clean with a mild, lukewarm soapy solution or Ceramic cleaner. Rinse thoroughly and pat dry with a cloth.



Glass, ceramic, Trespa® cleaner & polisher

Makes hard surfaces repellent to water, moisture and dirt. Cleans and removes stains without scratching using the included cloth.

DIPHANO

OUTDOOR FURNITURE

www.diphano.com

Textielstraat 4 - 8790 Waregem - Belgium
Tel. +32 (0)56 980 008 - info@diphano.com