

DIPHANO



Cubic

INSTRUCTION MANUAL

how to connect your modules

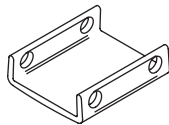
watch the video



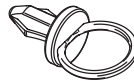
CONTENT

Start by unpacking everything carefully. Make sure to cover the floor to prevent any damage or scratching (you can use the cardboard box for this).

1 set contains:



1x connector

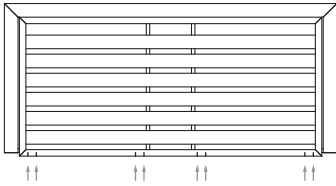


4x plastic rivet fastener

Diphano cannot be held responsible if the assembly instructions are not followed properly.

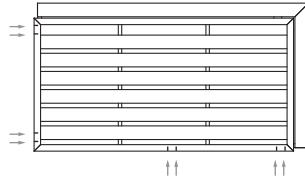
WHERE TO CONNECT

In the image below you can see all possible connection points per module.



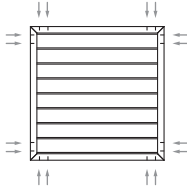
2,5-seater

2 sets included



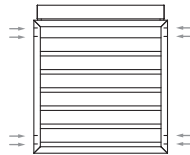
left corner double seat

2 sets included



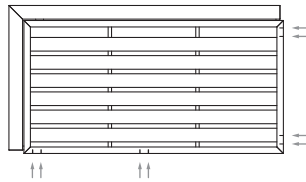
medium footrest

2 sets included



small middle seat

2 sets included



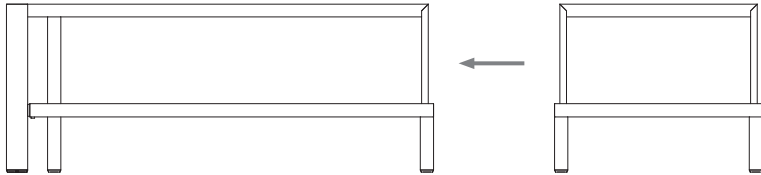
right corner double seat

2 sets included

1

PLACE MODULES

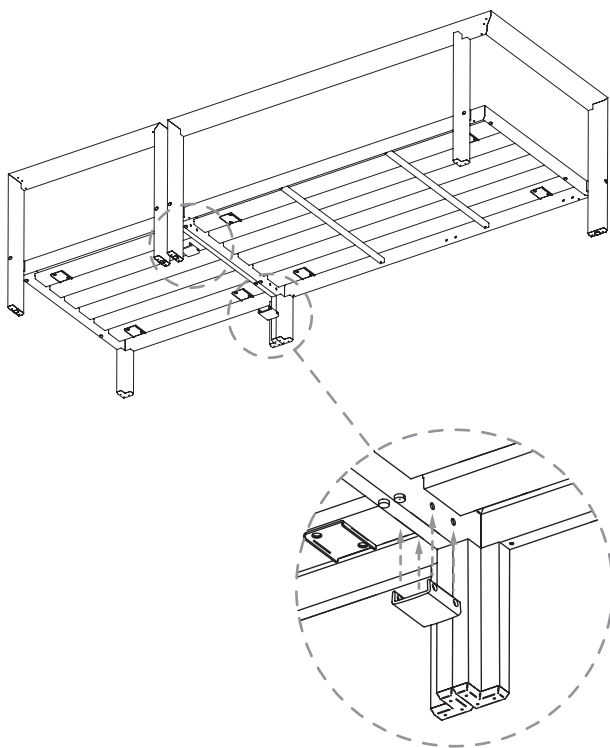
Place modules next to each other.



2

PLACE CONNECTOR

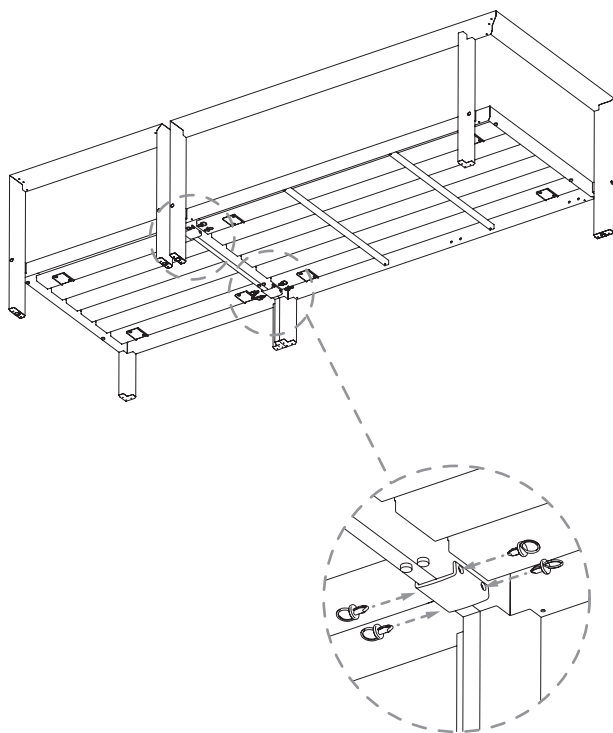
Place connectors so the pre-made holes match.



3

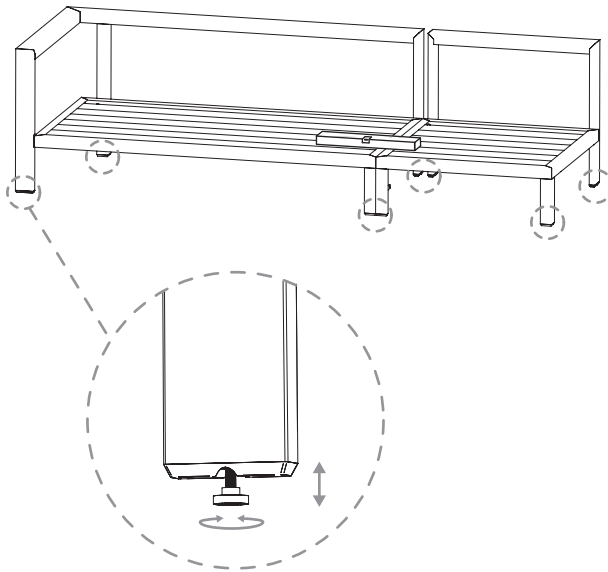
FIXATE

Fixate by placing the plastic rivet fasteners in the pre-made holes.



how to adjust the feet

Check with a spirit level if the modules are placed level. If not, (un)screw the adjustable feet until your concept is completely level. This ensures each module can be leveled so it fits perfectly to the next module.

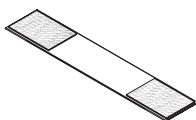


how to connect your cushions

watch the video



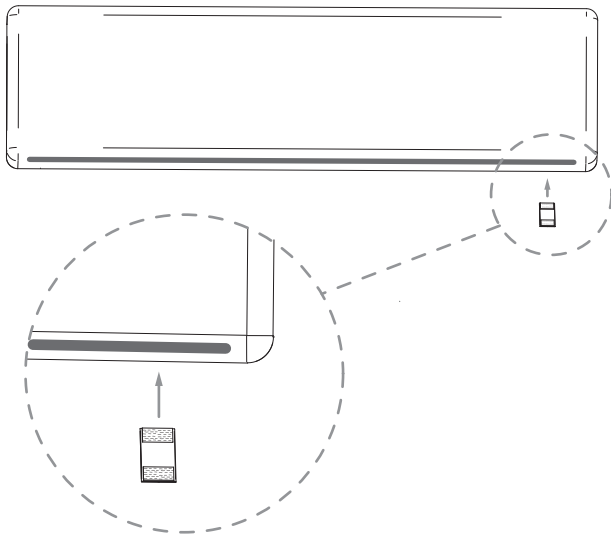
CONTENT



1x velcro cushion connector

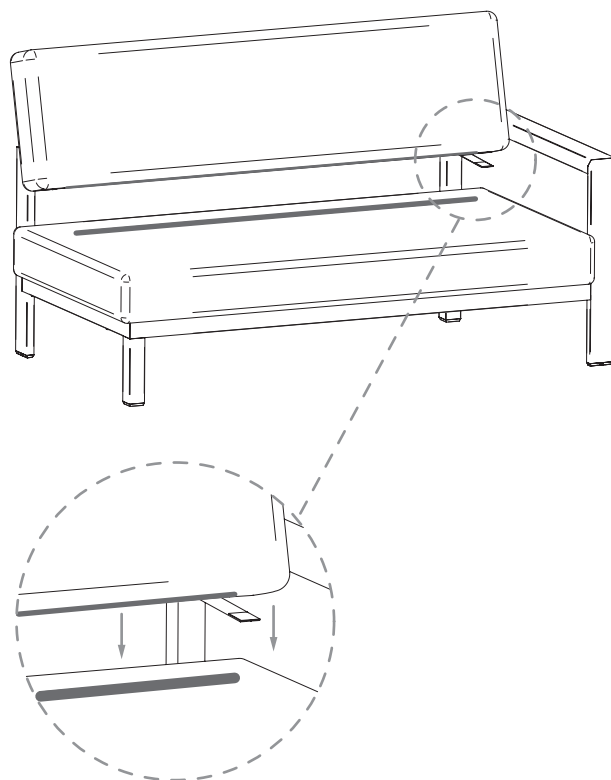
CONNECT CUSHION CONNECTOR

Connect 1 part of the velcro on the cushion connector to the velcro strip on the bottom of the back cushion.



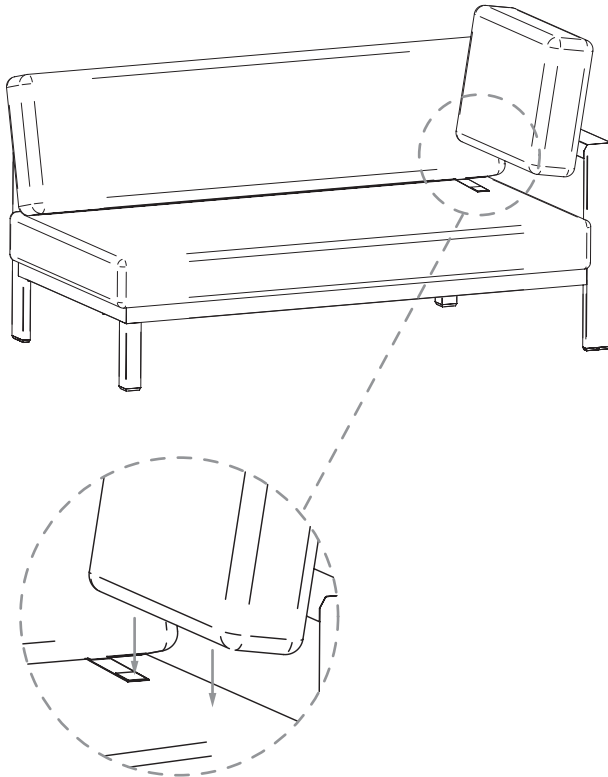
CONNECT BACK CUSHION TO SEAT CUSHION

Connect the back cushion to the seat cushion by matching the velcro strips.



CONNECT SIDE CUSHION

Connect the side cushion by matching the velcro strip with the second velcro part of the cushion connector.



how to stack your lounge chairs

watch the video



1

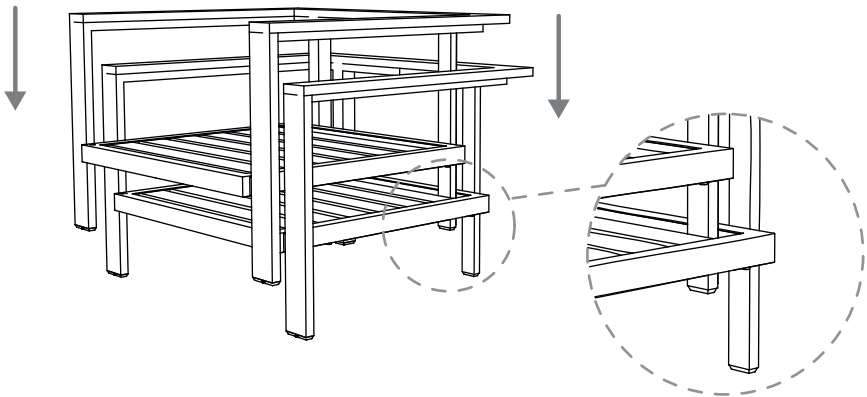
START BY REMOVING ALL CUSHIONS

Don't leave the cushions in between the chairs.

2

GENTLY SLIDE IN THE CHAIRS

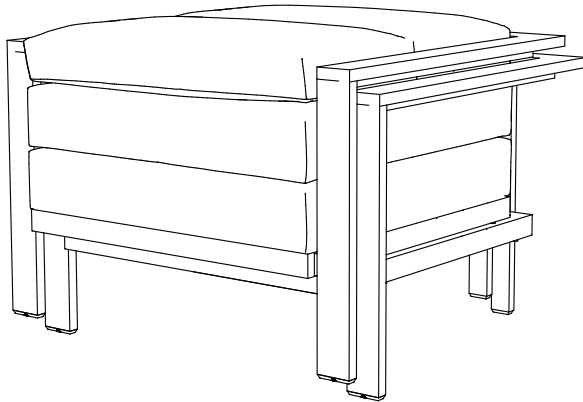
Place the rear legs in the space provided.



3

YOU CAN STORE THE CUSHIONS IN THE STACK

You can also store the cushions in the two stacked lounge chairs



how to stack your combo

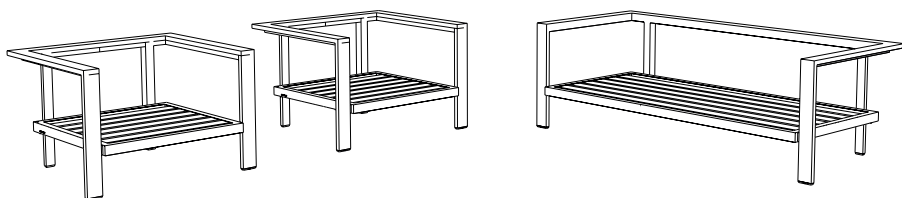
watch the video



1

START BY REMOVING ALL CUSHIONS

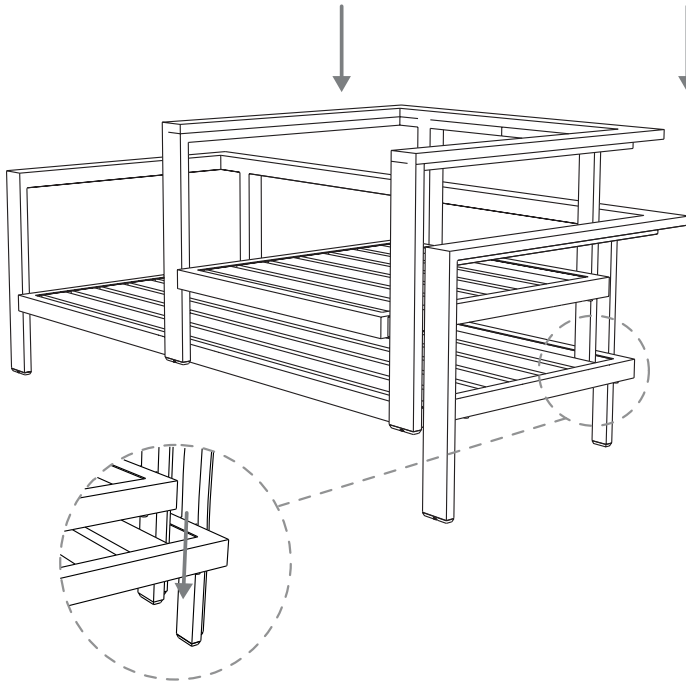
Don't leave the cushions in between the chairs.



2

STACK FIRST LOUNGE CHAIR

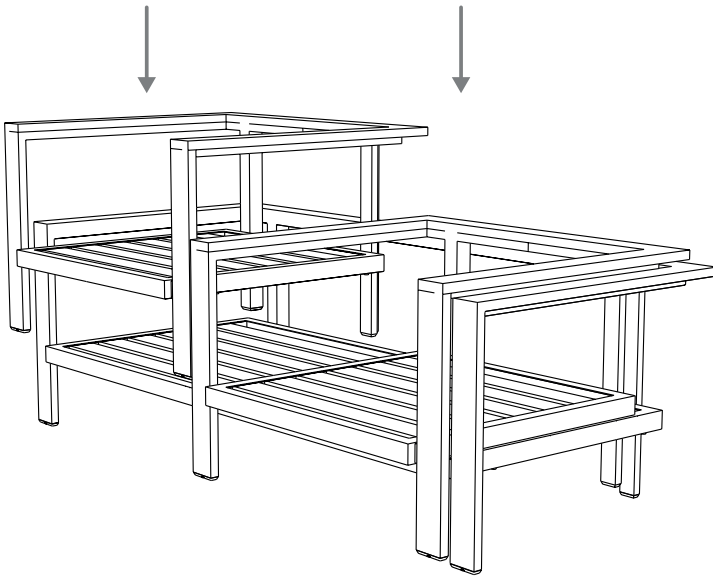
Gently slide the first lounge chair into the 2-seater.
Place the rear legs in the space provided.



3

STACK SECOND LOUNGE CHAIR

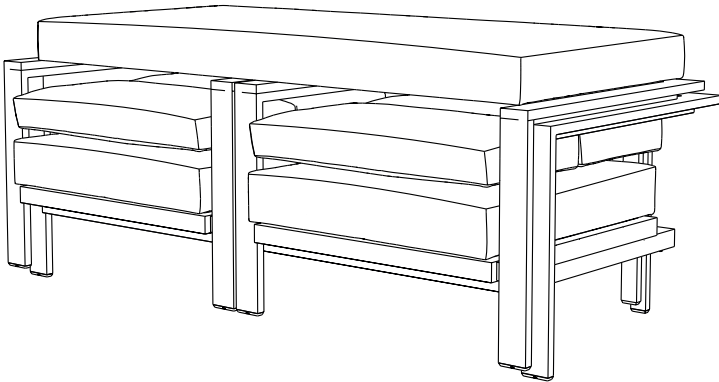
Gently slide the second lounge chair next to the first lounge chair.



4

YOU CAN STORE THE CUSHIONS IN THE STACK

You can also store the cushions in the stacked combo.



maintenance & care

POWDERCOATED ALUMINIUM

Simply brush away loose dirt, rinse, and clean with a mild, lukewarm soapy solution. Rinse thoroughly and pat dry with a cloth.

FABRICS

Simply brush away loose dirt. Spray on a cleaning solution of water and mild soap. Use a soft bristle brush to clean and allow cleaning solution to soak into the fabric. Rinse thoroughly until all soap residue is removed and allow to air-dry.



DIPHANO

OUTDOOR FURNITURE

www.diphano.com

Textielstraat 4 - 8790 Waregem - Belgium
Tel. +32 (0)56 980 008 - info@diphano.com