

DIPHANO



Easy Fit

side table elite B 42xR (44h)

INSTRUCTION MANUAL

how to assemble your side table

CONTENT

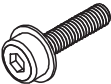
Start by unpacking everything carefully. Make sure to cover the floor to prevent any damage or scratching (you can use the cardboard box for this).



A
1x support



B
1x table top



C
3x bolt (M5x16mm)



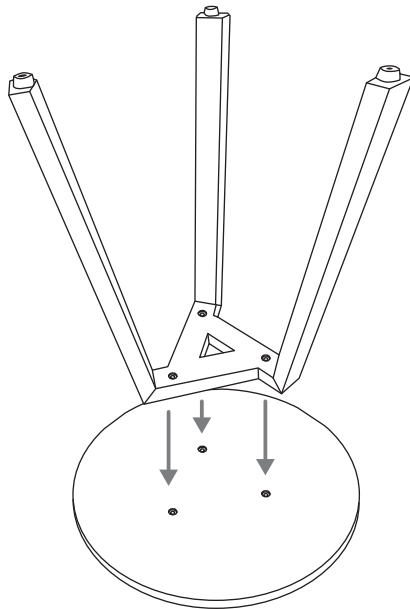
D
4x hex key (4mm)

Diphano cannot be held responsible if the assembly instructions are not followed properly.

1

PLACE SUPPORT

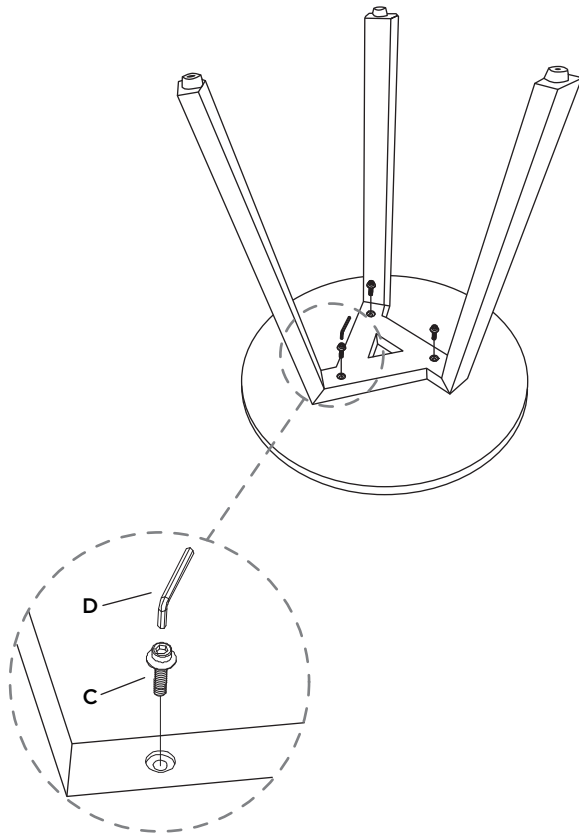
Place the support (A) on the backside of the table top (B) so the pre-made holes match.



2

FIXATE SUPPORT

Fixate by screwing the bolts (C) into the pr-made hole with the hex key (D).



maintenance & care

POWDERCOATED ALUMINIUM

Simply brush away loose dirt, rinse, and clean with a mild, lukewarm soapy solution. Rinse thoroughly and pat dry with a cloth.

TRESPA®

Simply brush away loose dirt, rinse, and clean with a mild, lukewarm soapy solution. Rinse thoroughly and pat dry with a cloth.

NATURAL TEAK

Simply brush away loose dirt, rinse, and clean with a mild, lukewarm soapy solution. Rinse thoroughly and pat dry with a cloth. If the teak is 100% dry and free of dust, you can apply our Teak stain protector to make it repellent to water and moisture. Avoid the use of abrasive products and solvents and high pressure cleaning.



Teak stain protector

Saturates teak to make it repellent to water and moisture. Helps to prevent stains (e.g. wine stains, barbecue stains...). Easy to apply. Transparent finishing.

DIPHANO

OUTDOOR FURNITURE

www.diphano.com

Textielstraat 4 - 8790 Waregem - Belgium
Tel. +32 (0)56 980 008 - info@diphano.com