

DIPHANO



Icon

barstool 61h/77h

INSTRUCTION MANUAL

how to assemble the barstool

CONTENT

Start by unpacking everything carefully. Make sure to cover the floor to prevent any damage or scratching (you can use the cardboard box for this).



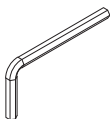
A

2x bolt (M6x20mm)



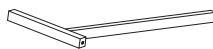
B

1x bolt (M6x15mm)



C

1x hex key



D

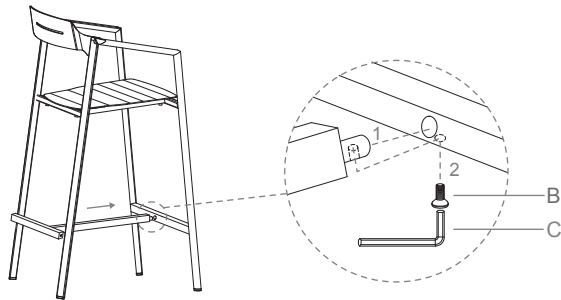
1x alu intermediat piece

Diphano cannot be held responsible if the assembly instructions are not followed properly.

1

FIXATE FRONT

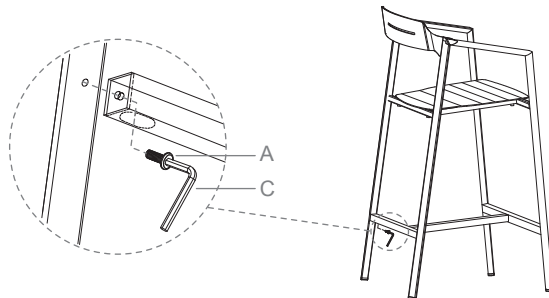
Position the front of the alu intermediate piece (D) in the pre-made hole of the barstool and fixate with the 15mm bolt (B).



2

FIXATE SIDES

Fixate the sides of the intermediate piece (D) by screwing the 20mm bolts (A) into the pre-made holes as shown.



how to install the cushion set

watch the video



CONTENT

Start by unpacking everything carefully. Make sure to cover the floor to prevent any damage or scratching (you can use the cardboard box for this).



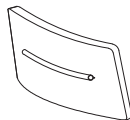
top view



bottom view

A

1x seat cushion



B

1x back cushion



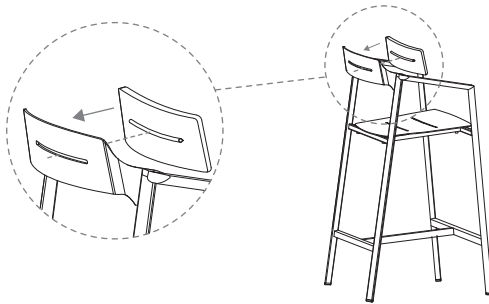
C

1x PE locker

1

PLACE BACK CUSHION

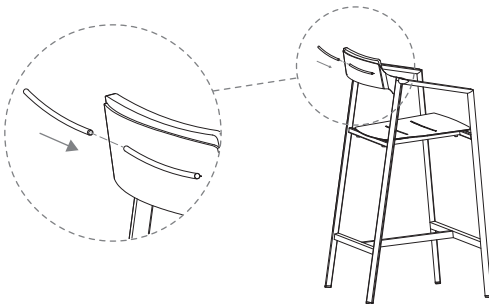
Slide the fabric tunnel of the back cushion (B) in the open space of the back part of the barstool.



2

FIXATE BACK CUSHION

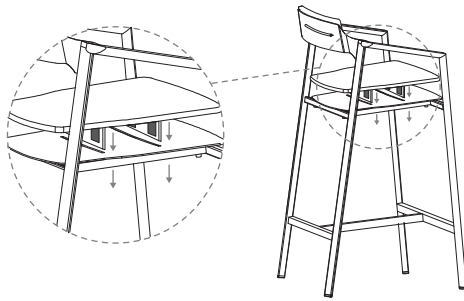
Fixate the back cushion by placing the PE locker (C) into the fabric tunnel.



3

PLACE SEAT CUSHION

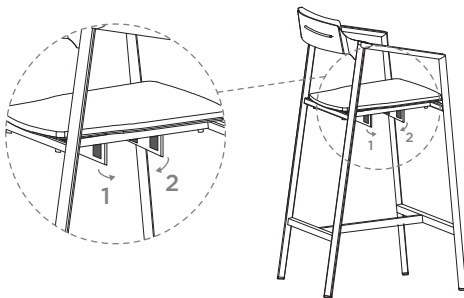
Slide the velcro parts of the seat cushion (A) in the open space of the seat part of the barstool.



4

FIXATE SEAT CUSHION

Fixate the seat cushion by pressing together the loop and the hook parts of the velcro.



maintenance & care

POWDERCOATED ALUMINIUM

Simply brush away loose dirt, rinse, and clean with a mild, lukewarm soapy solution. Rinse thoroughly and pat dry with a cloth.

NATURAL TEAK

Simply brush away loose dirt, rinse, and clean with a mild, lukewarm soapy solution. Rinse thoroughly and pat dry with a cloth. If the teak is 100% dry and free of dust, you can apply our Teak stain protector to make it repellent to water and moisture. Avoid the use of abrasive products and solvents and high pressure cleaning.



Teak stain protector

Saturates teak to make it repellent to water and moisture. Helps to prevent stains (e.g. wine stains, barbecue stains...). Easy to apply. Transparent finishing.

FABRICS

Simply brush away loose dirt. Spray on a cleaning solution of water and mild soap. Use a soft bristle brush to clean and allow cleaning solution to soak into the fabric. Rinse thoroughly until all soap residue is removed and allow to air-dry.



DIPHANO

OUTDOOR FURNITURE

www.diphano.com

Textielstraat 4 - 8790 Waregem - Belgium
Tel. +32 (0)56 980 008 - info@diphano.com