

DIPHANO



Icon

dining table 226x104
ceramic

INSTRUCTION MANUAL

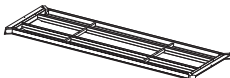
how to assemble the dining table

CONTENT

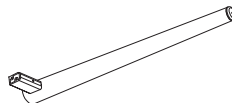
Start by unpacking everything carefully. Make sure to cover the floor to prevent any damage or scratching (you can use the cardboard box for this).



A
1x table top



B
1x support



C
4x leg



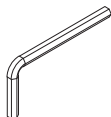
D
4x bolt (M8x15mm)



E
8x bolt (M8x20mm)



F
8x washer (8mm)



G
1x hex key



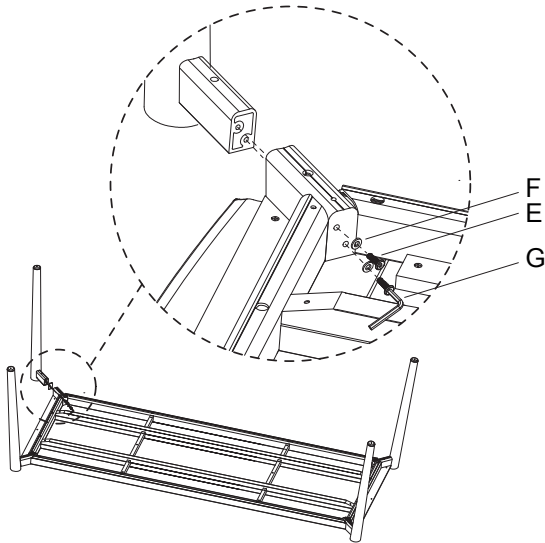
H
4x adjuster

Diphano cannot be held responsible if the assembly instructions are not followed properly.

1

CONNECT THE LEGS (1/2)

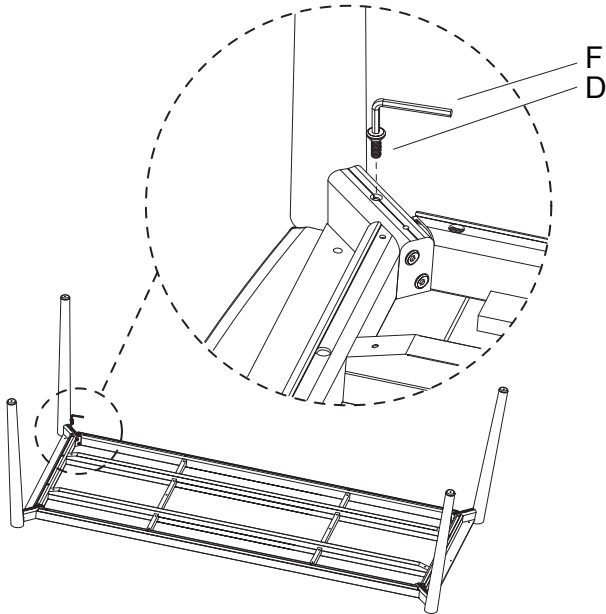
Connect the legs (C) to the support (B) by fixating the bolts (E) with the washers (F) in the correct order. Repeat this action for each leg.



2

CONNECT THE LEGS (1/2)

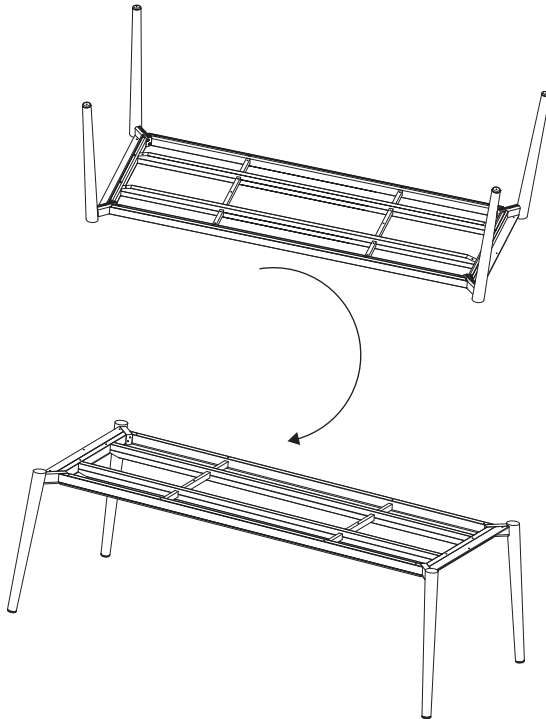
Fixate by screwing the bolt (D) into the pre-made hole.
Repeat this action for each leg.



3

TURN TABLE

Turn the table carefully to its normal position with at least 2 persons.

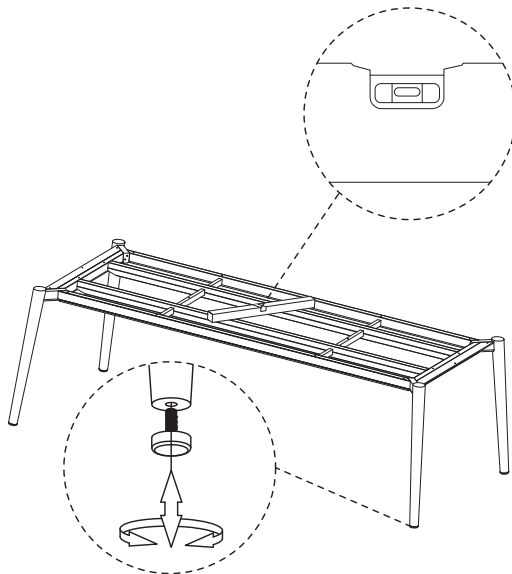


4

ADJUST FEET

Check with a spirit level if the table is placed level. If not, (un)screw the adjustable feet till your table is completely level.

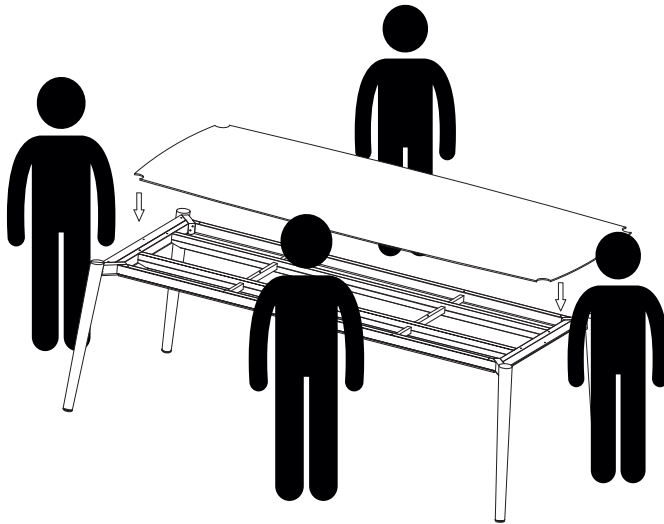
It is important to prevent tension on your ceramic top!



5

PLACE TABLE TOP

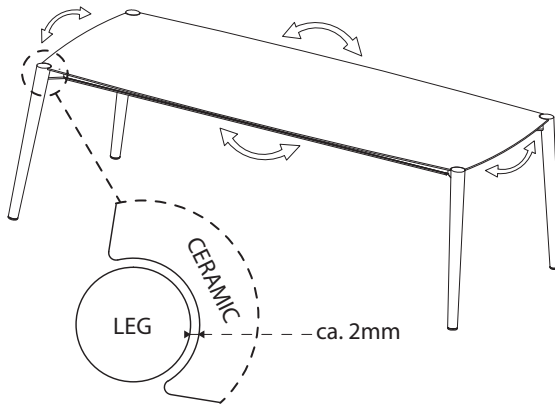
Carefully place the table top (A) onto the support (B) with at least 4 persons at the positions indicated in the picture.



6

POSITION TABLE TOP

Carefully adjust the ceramic top into the correct position. 2mm tolerance around the leg is required, see detail. If this is not possible, please go to the next chapter.



how to adjust the table top

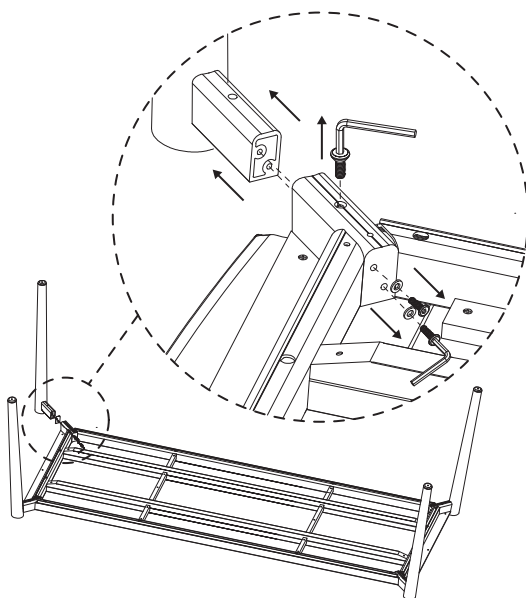
In case there is not enough space between the legs to place the ceramic table top in a safe way, there are adjusters included.

Follow the steps below to adjust your table.

1

DECONNECT THE LEGS

Disconnect the legs that do not have enough space between the leg and the ceramic table top.

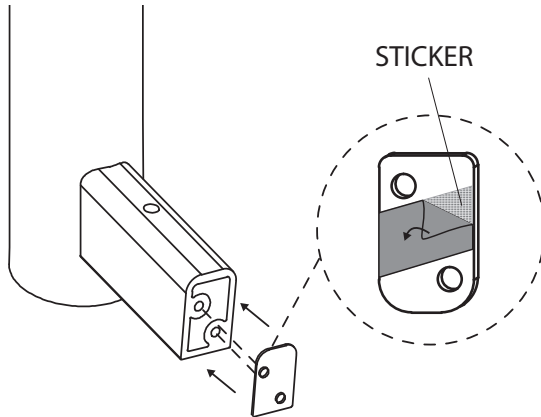


2

POSITION ADJUSTER

Peel off the strip of the sticker on the adjuster and stick the adjuster on the open outer profile of the leg so the pre-made holes match.

Now go back to step 1 'connect the legs'.



maintenance & care

POWDERCOATED ALUMINIUM

Simply brush away loose dirt, rinse, and clean with a mild, lukewarm soapy solution. Rinse thoroughly and pat dry with a cloth.

CERAMIC

Simply brush away loose dirt, rinse, and clean with a mild, lukewarm soapy solution or Ceramic cleaner. Rinse thoroughly and pat dry with a cloth.



Glass, ceramic, Trespas® cleaner & polisher

Makes hard surfaces repellent to water, moisture and dirt.
Cleans and removes stains without scratching using the included cloth.

DIPHANO

OUTDOOR FURNITURE

www.diphano.com

Textielstraat 4 - 8790 Waregem - Belgium
Tel. +32 (0)56 980 008 - info@diphano.com