

DIPHANO



**Metris**

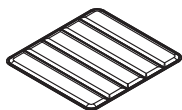
barstool

INSTRUCTION MANUAL

# how to install seat cushion

## CONTENT

Start by unpacking everything carefully. Make sure to cover the floor to prevent any damage or scratching (you can use the cardboard box for this).



**A**  
1x seat cushion

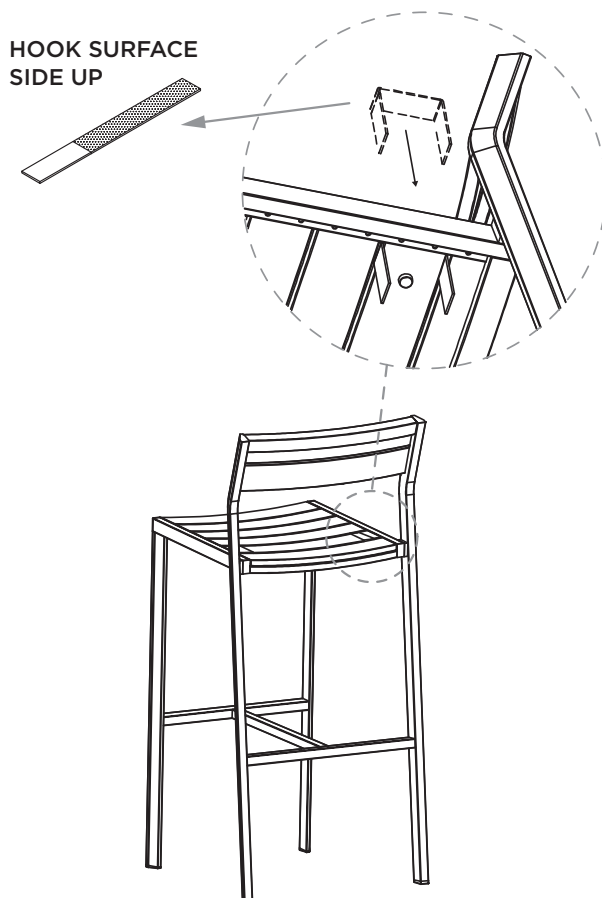


**B**  
2x velcro strip

Diphano cannot be held responsible if the assembly instructions are not followed properly.

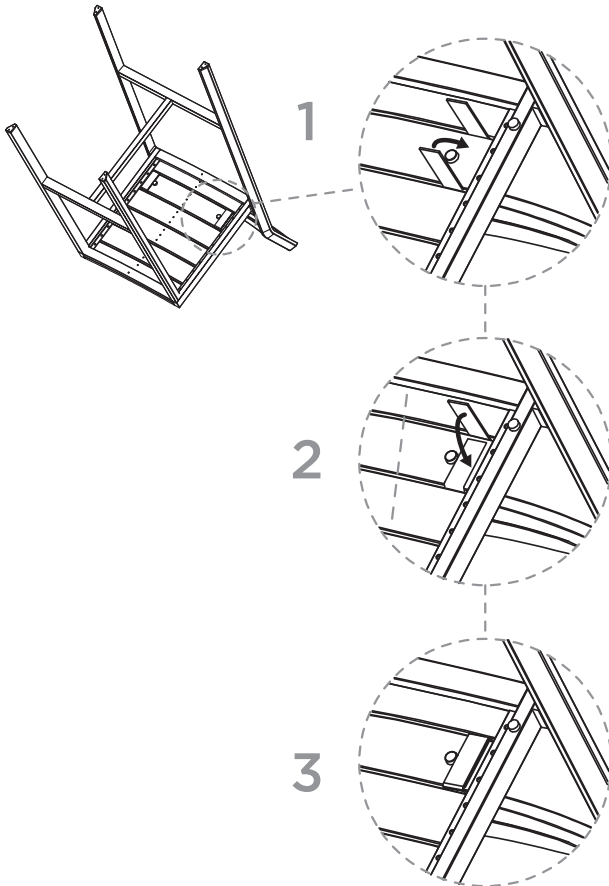
## POSITION VELCRO

Place the velcro on the one but last slat of the chair. Make sure the hook surface side is face upwards. Repeat this action for the other side.



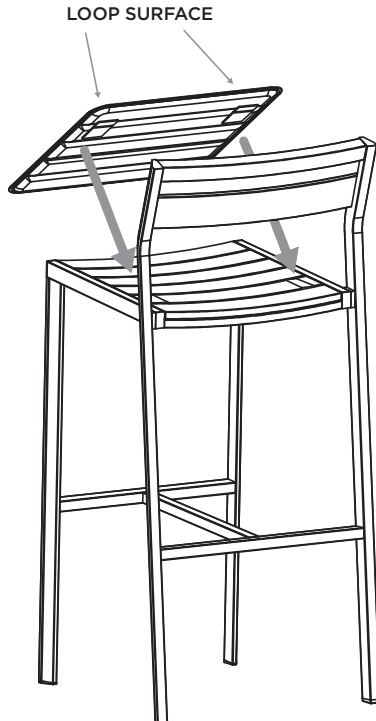
## CLOSE VELCRO

Move the velcro so it is placed between the plastic cap and the side of the chair. Now close the velcro by following the 3 steps in the image below. Repeat this action for the other side.

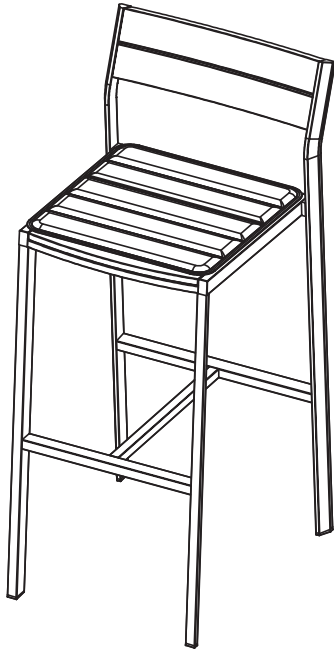


## PLACE SEAT CUSHION

Place the seat cushion on the chair so the loop surface on the cushion connects perfectly with the hook surface on the chair.



## RESULT



# **maintenance & care**

## **POWDERCOATED ALUMINIUM**

Simply brush away loose dirt, rinse, and clean with a mild, lukewarm soapy solution. Rinse thoroughly and pat dry with a cloth.

## **TEXTYLENE**

Easy to clean with water or specific Textilene® cleaner. Avoid the use of abrasive products and solvents and high pressure cleaning.

# DIPHANO

OUTDOOR FURNITURE

[www.diphano.com](http://www.diphano.com)

Textielstraat 4 - 8790 Waregem - Belgium  
Tel. +32 (0)56 980 008 - [info@diphano.com](mailto:info@diphano.com)