

DIPHANO



Metris
bistro table

INSTRUCTION MANUAL

This instruction manual applies to the following models:



bistro table



counter bistro table

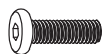


high bistro table

how to assemble bistro table

CONTENT

Start by unpacking everything carefully. Make sure to cover the floor to prevent any damage or scratching (you can use the cardboard box for this).



A
4x bolt (M6x20mm)



B
4x washer (M6)



C
1x hex key (4)



D
3x bolt (M8x30mm)



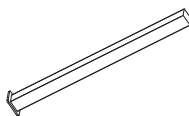
E
3x washer (M8)



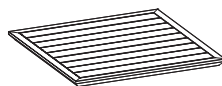
F
1x hex key (5)



G
1x base



H
1x pole

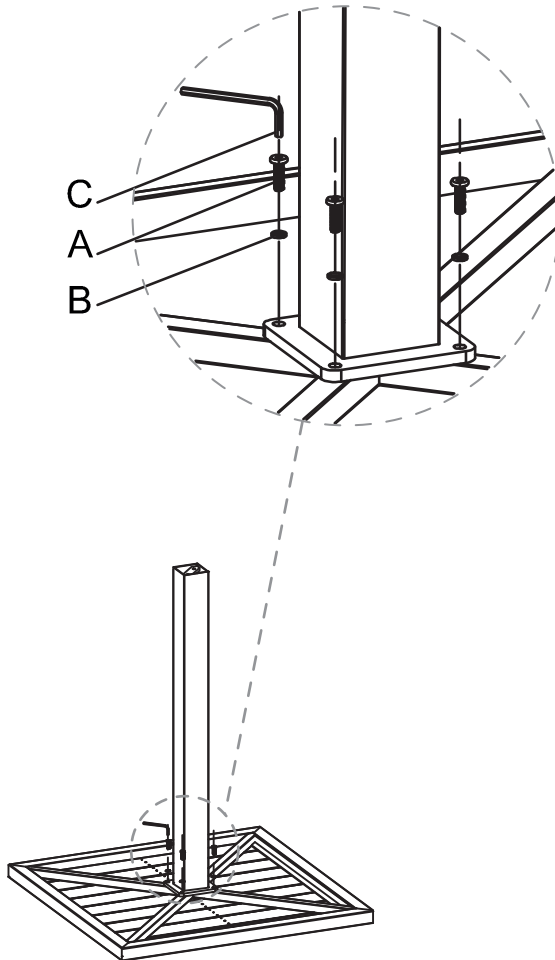


I
1x alu table top

Diphano cannot be held responsible if the assembly instructions are not followed properly.

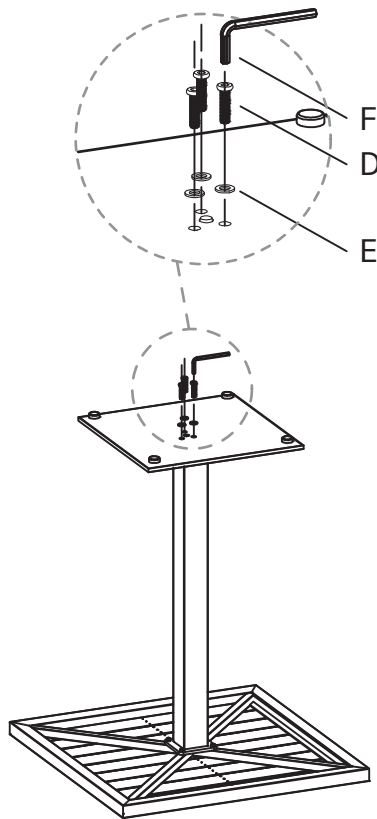
CONNECT TABLE TOP

Connect the pole (H) to the table top (I) by fixing the bolt (A) with the washer (B) in the correct order. Repeat this 3 times so you have a bolt at every corner of the pole.



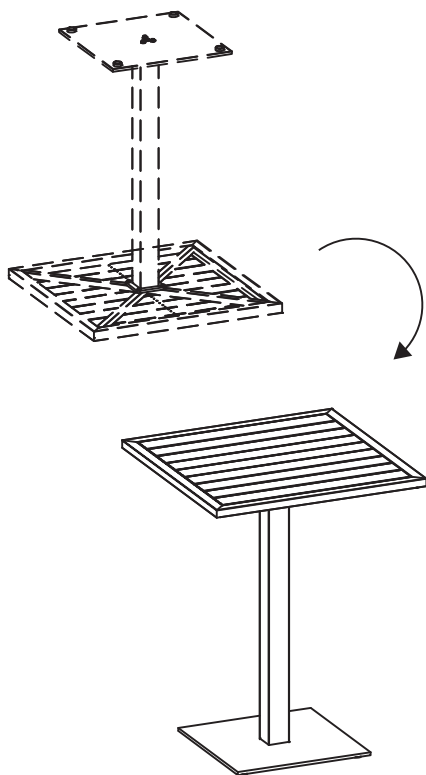
CONNECT BASE

Connect the base (G) to the other side of the pole (H) by fixating the bolt (D) with the washer (E) in the correct order. Repeat this action 2 times.



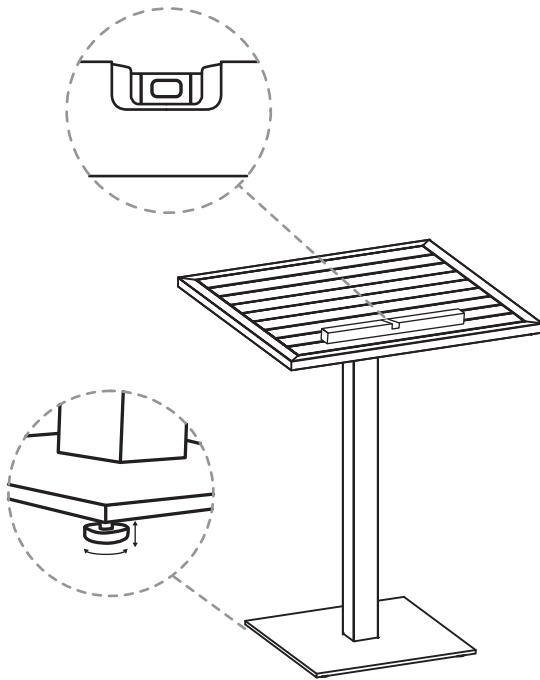
TURN TABLE

Turn the table carefully to its normal position with at least 2 persons.



ADJUST FEET

Check with a spirit level if the table is placed level. If not, (un)screw the adjustable feet till your table is completely level.



DIPHANO

OUTDOOR FURNITURE

www.diphano.com

Textielstraat 4 - 8790 Waregem - Belgium
Tel. +32 (0)56 980 008 - info@diphano.com