

DIPHANO



Ray

LOUNGE CHAIR & 2-SEATER

INSTRUCTION MANUAL

how to attach your cushion set

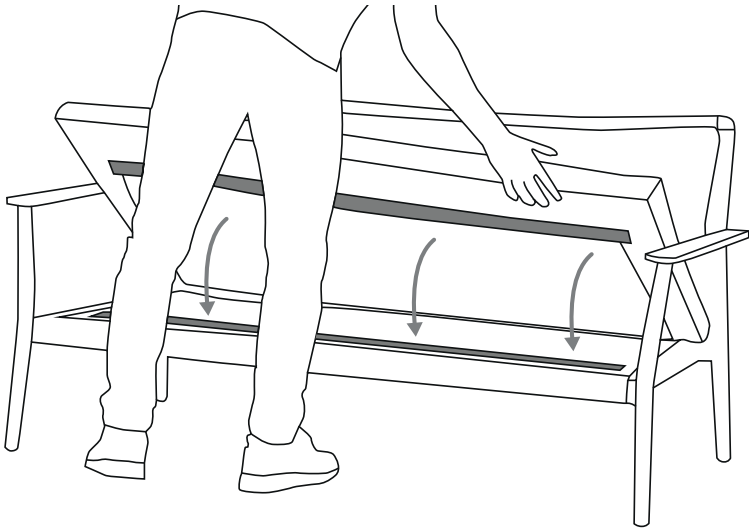
watch the video



1

POSITION THE SEAT CUSHION

Place the seat cushion on the seater so the velcro parts on the seat cushion matches the velcro parts on the seater.



2

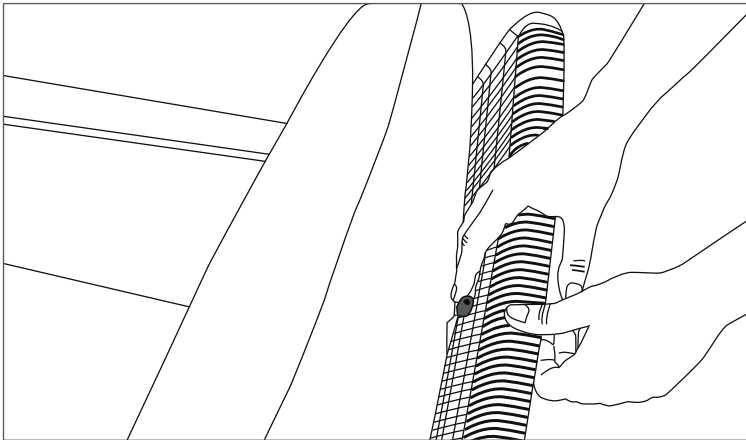
CENTER THE BACK CUSHION

Center your back cushion on the back part of your seater.

3

POSITION FIRST BUTTON

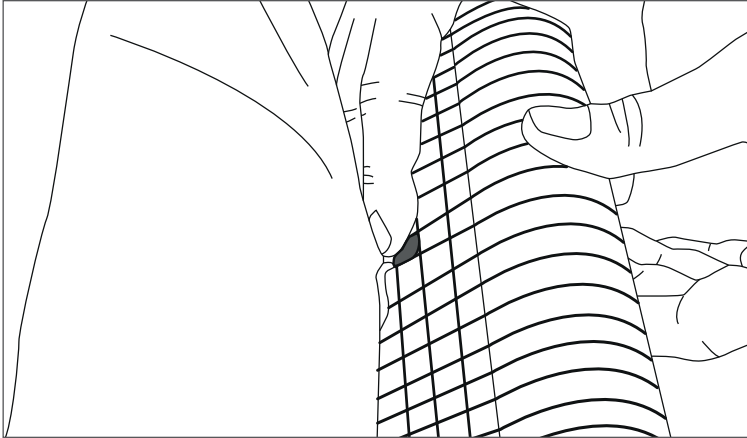
Take the first button at the back of the cushion and place it on one of the holes in the rope.



4

PUSH BUTTON

Now push the button through the rope.



5

REPEAT

For the 2-seater: repeat this action for the second button.

how to stack your lounge chairs

watch the video



1

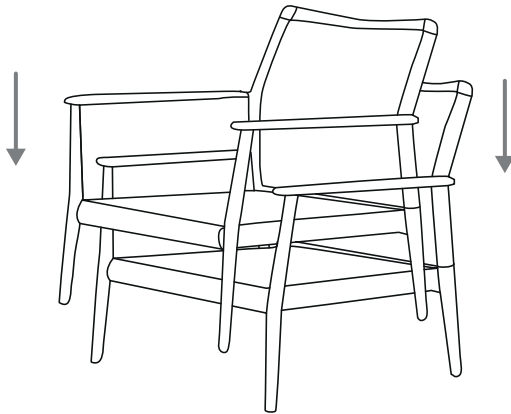
START BY REMOVING ALL CUSHIONS

Don't leave the cushions in between the chairs.

2

GENTLY SLIDE IN THE CHAIRS

Leave some space in between the legs.



3

YOU CAN STORE THE CUSHIONS IN THE STACK

You can also store the cushions in the two stacked lounge chairs



how to stack your combo

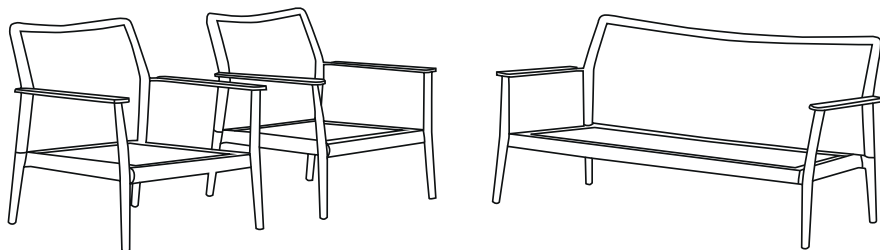
watch the video



1

START BY REMOVING ALL CUSHIONS

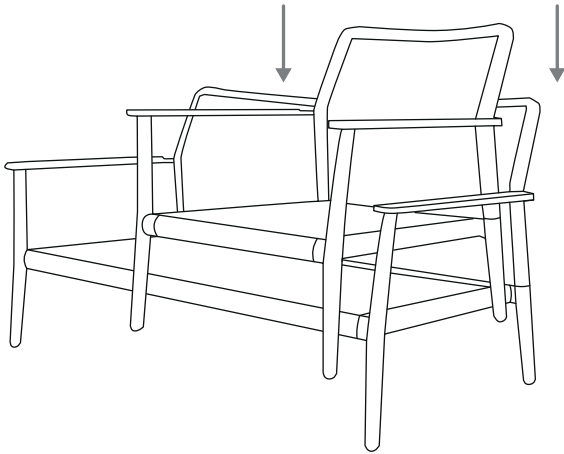
Don't leave the cushions in between the chairs.



2

STACK FIRST LOUNGE CHAIR

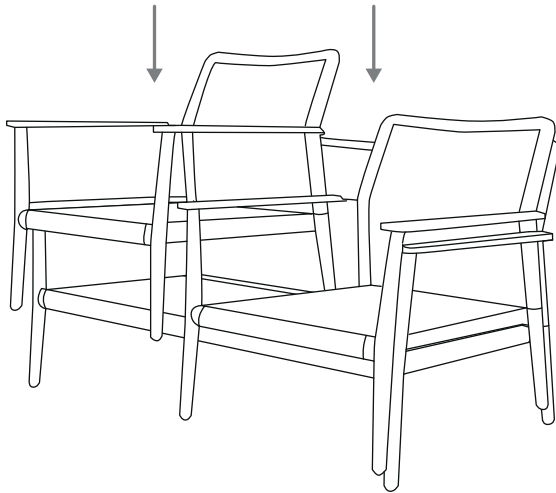
Gently slide the first lounge chair into the 2-seater.
Place the rear legs in the space provided.



3

STACK SECOND LOUNGE CHAIR

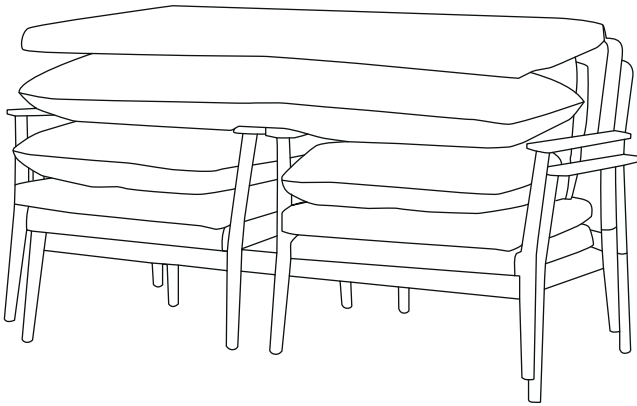
Gently slide the second lounge chair next to the first lounge chair.



4

YOU CAN STORE THE CUSHIONS IN THE STACK

You can also store the cushions in the stacked combo.



maintenance & care

POWDERCOATED ALUMINIUM

Simply brush away loose dirt, rinse, and clean with a mild, lukewarm soapy solution. Rinse thoroughly and pat dry with a cloth.

ROPE

Simply brush away loose dirt, rinse, and clean with a mild, lukewarm soapy solution. Rinse thoroughly and air dry.

NATURAL TEAK

Simply brush away loose dirt, rinse, and clean with a mild, lukewarm soapy solution. Rinse thoroughly and pat dry with a cloth. If the teak is 100% dry and free of dust, you can apply our Teak stain protector to make it repellent to water and moisture. Avoid the use of abrasive products and solvents and high pressure cleaning.



Teak stain protector

Saturates teak to make it repellent to water and moisture. Helps to prevent stains (e.g. wine stains, barbecue stains...). Easy to apply. Transparent finishing.

DIPHANO

OUTDOOR FURNITURE

www.diphano.com

Textielstraat 4 - 8790 Waregem - Belgium
Tel. +32 (0)56 980 008 - info@diphano.com