

DIPHANO



Selecta
bistro table

INSTRUCTION MANUAL

This instruction manual applies to the following models:



bistro table



counter bistro table



high bistro table

assembly instructions

CONTENT

Start by unpacking everything carefully. Make sure to cover the floor to prevent any damage or scratching (you can use the cardboard box for this).



A
4x bolt (M6x20mm)



B
4x washer (M6)



C
1x hex key (4)



D
3x bolt (M8x30mm)



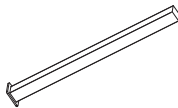
E
3x washer (M8)



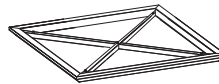
F
1x hex key (5)



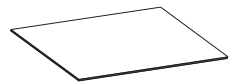
G
1x base



H
1x pole



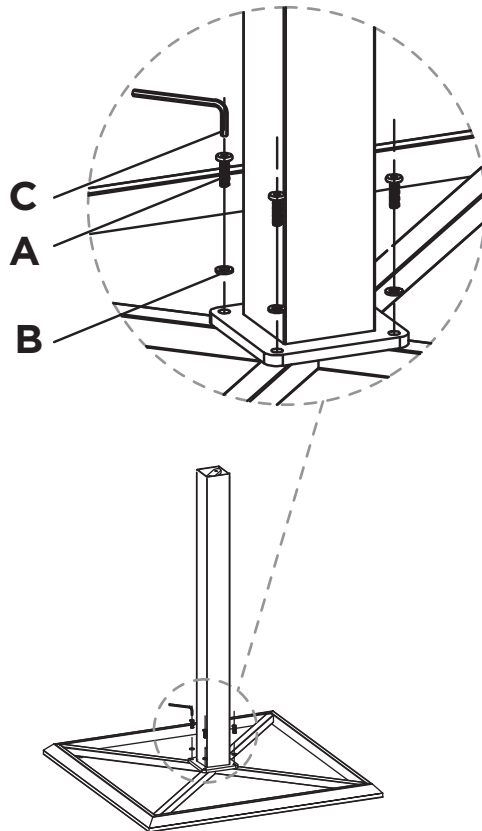
I
1x table top support



J
1x table top

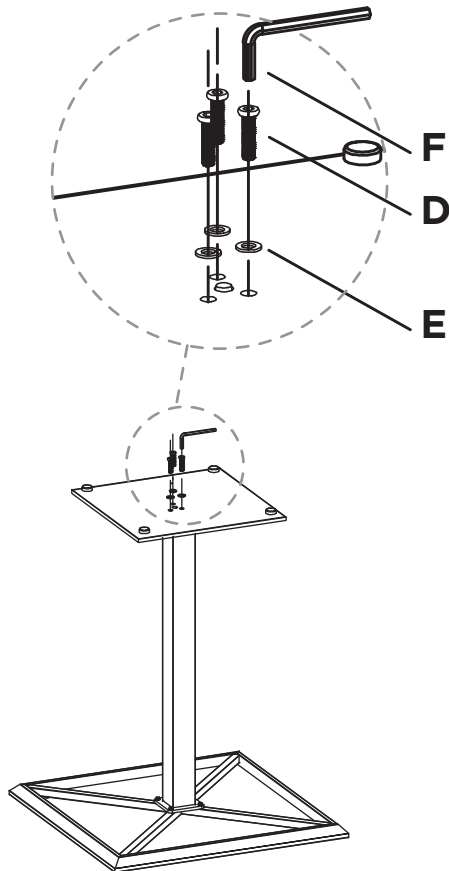
CONNECT TABLE TOP SUPPORT

Connect the pole (H) to the table top support (I) by fixing the bolt (A) with the washer (B) in the correct order. Repeat this 3 times so you have a bolt at every corner of the pole.



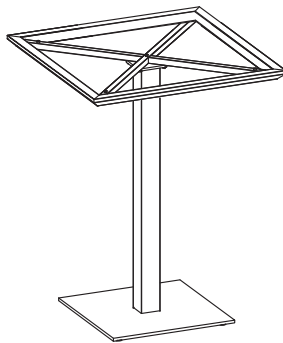
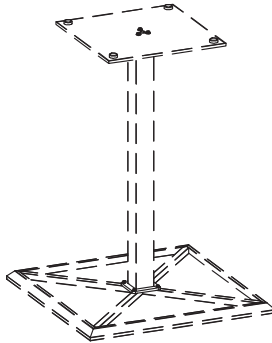
CONNECT BASE

Connect the base (G) to the other side of the pole (H) by fixing the bolt (D) with the washer (E) in the correct order. Repeat this action 2 times.



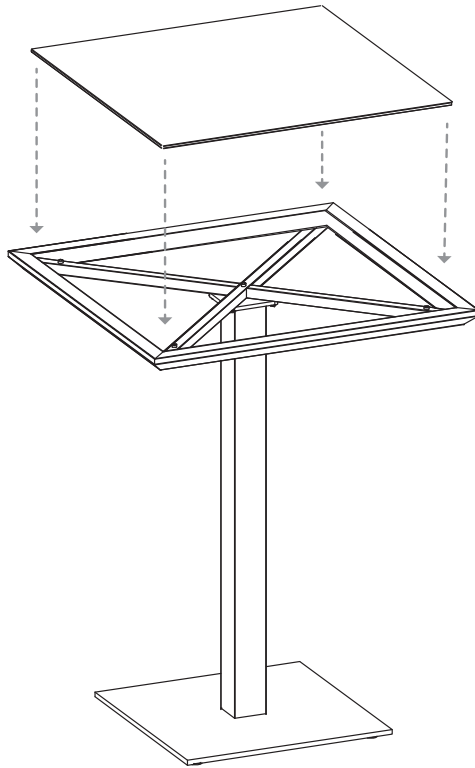
TURN TABLE

Turn the table carefully to its normal position with at least 2 persons.



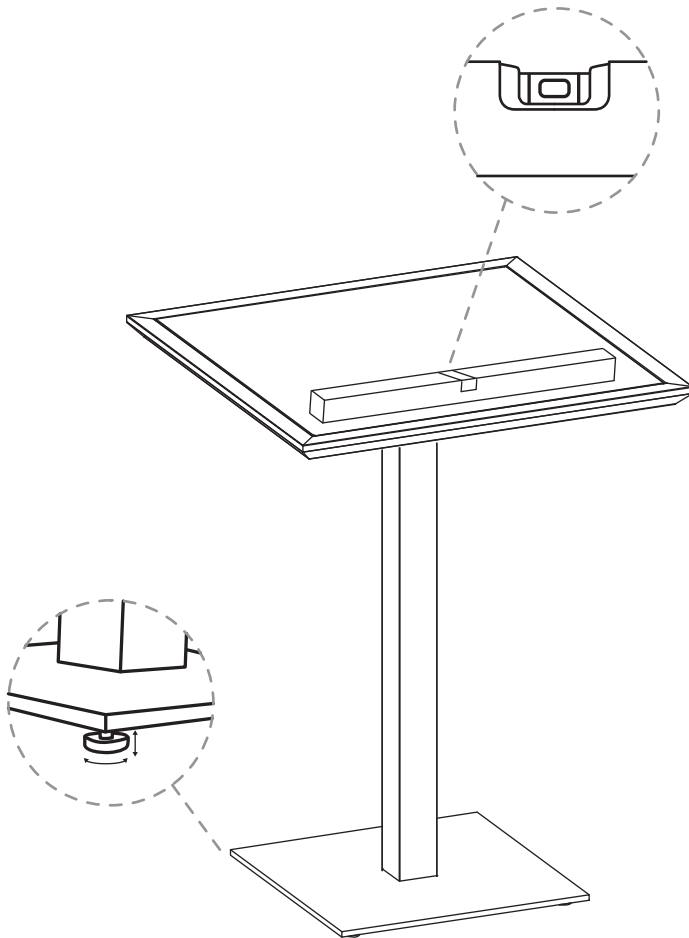
PLACE TABLE TOP

Carefully place the table top (J) in the lower part of the support with at least 2 persons.



ADJUST FEET

Check with a spirit level if the table is placed level. If not, (un)screw the adjustable feet till your table is completely level.



maintenance & care

POWDERCOATED ALUMINIUM

Simply brush away loose dirt, rinse, and clean with a mild, lukewarm soapy solution. Rinse thoroughly and pat dry with a cloth.

CERAMIC

Simply brush away loose dirt, rinse, and clean with a mild, lukewarm soapy solution or Ceramic cleaner. Rinse thoroughly and pat dry with a cloth.



Glass, ceramic, Trespa® cleaner & polisher

Makes hard surfaces repellent to water, moisture and dirt. Cleans and removes stains without scratching using the included cloth.

DIPHANO

OUTDOOR FURNITURE

www.diphano.com

Textielstraat 4 - 8790 Waregem - Belgium
Tel. +32 (0)56 980 008 - info@diphano.com