

DIPHANO



**Selecta**

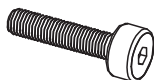
dining table 313x90

INSTRUCTION MANUAL

# assembly instructions

## CONTENT

Start by unpacking everything carefully. Make sure to cover the floor to prevent any damage or scratching (you can use the cardboard box for this).



**A**  
8x bolt (M8x40mm)



**B**  
8x washer (M8)



**C**  
8x spring washer (M8)



**D**  
1x hex key (6)



**E**  
4x bolt (M6x15mm)



**F**  
4x washer (M6)



**G**  
4x spring washer (M6)



**H**  
1x hex key (5)



**I**  
22x bumper



**J**  
22x washer (1mm)



**K**  
22x washer (2mm)



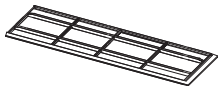
**L**  
2x sex bolt (M6x30)

Diphano cannot be held responsible if the assembly instructions are not followed properly.



**M**

2x mating bolt (M6x15)



**N**

1x alu table top support



**O**

2x alu outer leg



**P**

1x table top

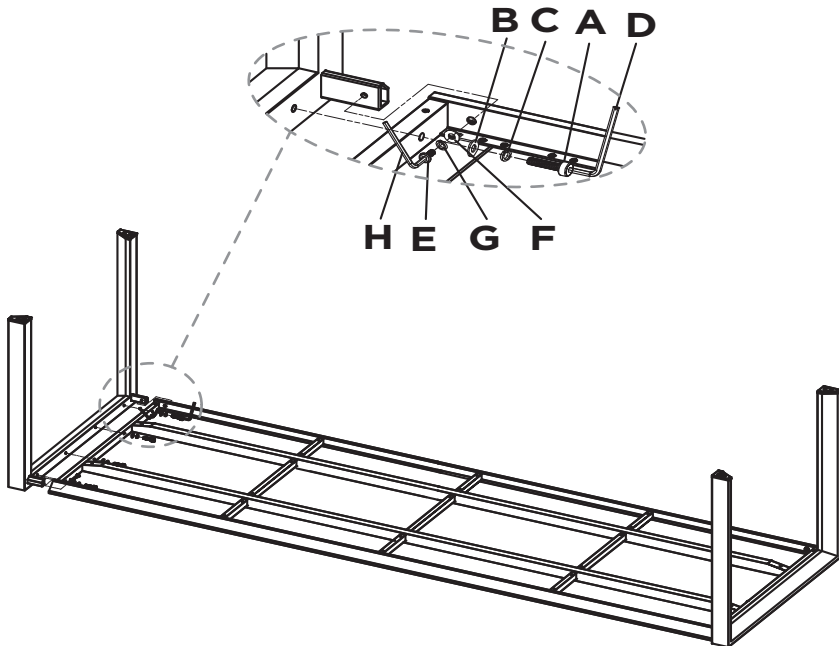


**Q**

1x alu central leg

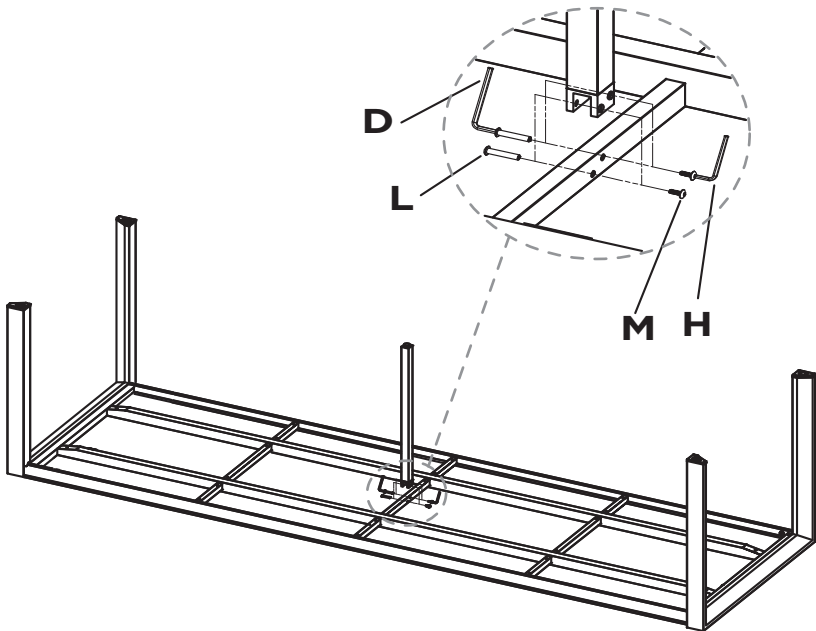
## ASSEMBLE OUTER LEGS

Slide the outer legs (O) equally onto the table top support (N).  
Use the hexkeys (D,H) to fixate the outer legs as shown in the picture. Make sure you follow the correct order as indicated by the letters in the picture.



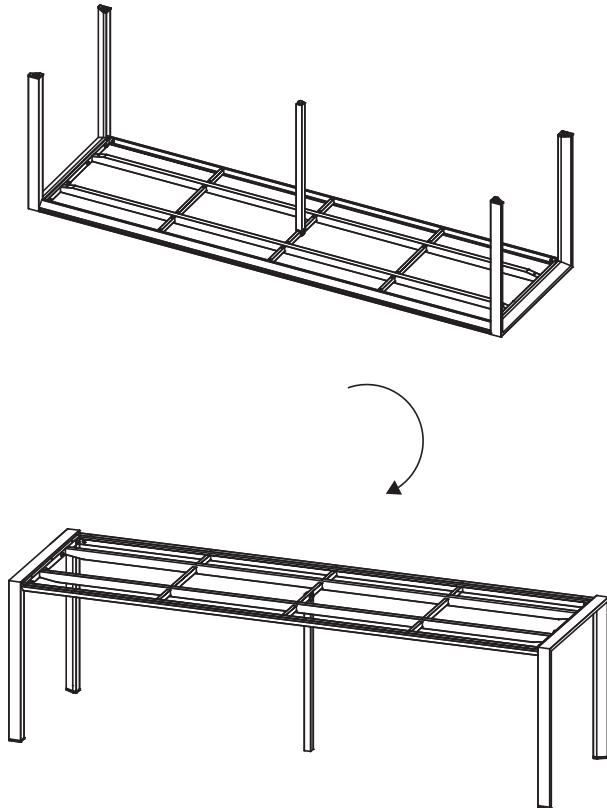
## ASSEMBLE CENTRAL LEG

Place the central leg so the pre-made holes match.  
Use the hexkeys (D,H) to fixate the central leg as shown in the picture. Make sure you follow the correct order as indicated by the letters in the picture.



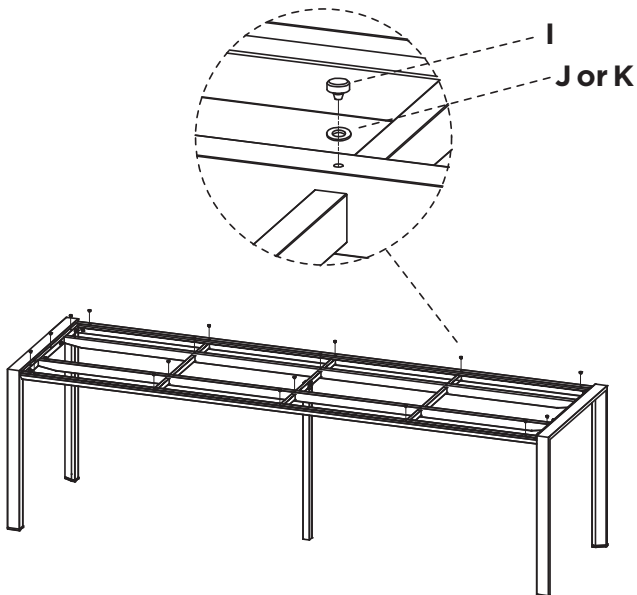
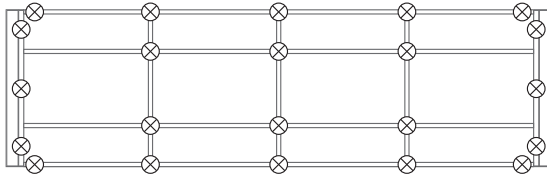
## TURN TABLE

Turn the table carefully to its normal position with at least 4 persons.



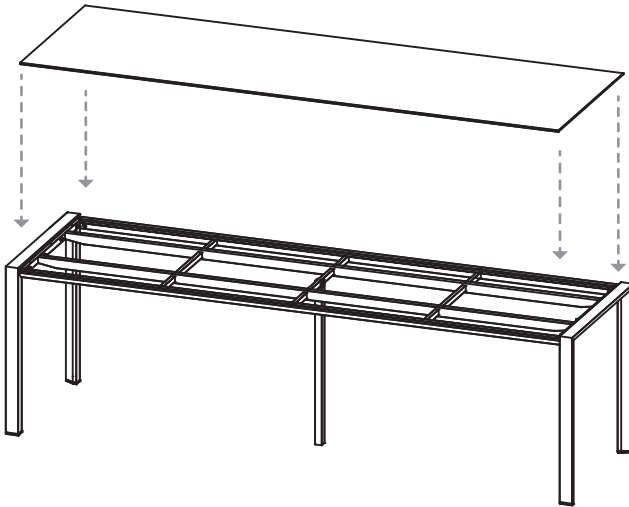
## PLACE BUMPERS

Place the bumpers (I) with the washers (J,K) on the correct positions as shown on the topview. Check during setup which washer is necessary for adjusting the ceramic top on the frame, the 1mm or the 2mm.



## PLACE TABLE TOP

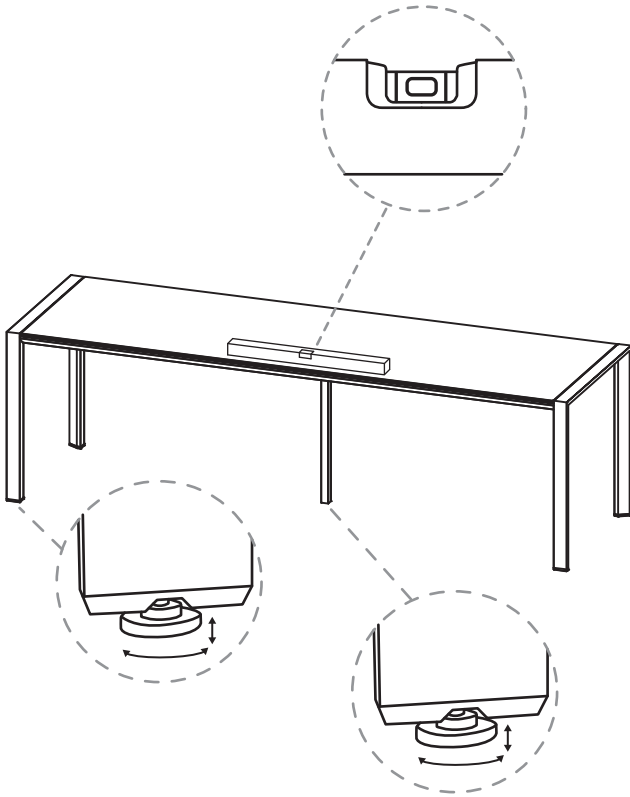
Carefully place the table top (P) in the lower part of the support with at least 4 persons.





## ADJUST FEET

Check with a spirit level if the table is placed level. If not, (un)screw the adjustable feet till your table is completely level.



# **maintenance & care**

## **POWDERCOATED ALUMINIUM**

Simply brush away loose dirt, rinse, and clean with a mild, lukewarm soapy solution. Rinse thoroughly and pat dry with a cloth.

## **CERAMIC**

Simply brush away loose dirt, rinse, and clean with a mild, lukewarm soapy solution or Ceramic cleaner. Rinse thoroughly and pat dry with a cloth.



### **Glass, ceramic, Trespa® cleaner & polisher**

Makes hard surfaces repellent to water, moisture and dirt. Cleans and removes stains without scratching using the included cloth.



# DIPHANO

OUTDOOR FURNITURE

[www.diphano.com](http://www.diphano.com)

Textielstraat 4 - 8790 Waregem - Belgium  
Tel. +32 (0)56 980 008 - [info@diphano.com](mailto:info@diphano.com)